

## SHRI GURU GOBIND SINGHJI INSTITUTE OF ENGINEERING &amp; TECHNOLOGY

VISHNUPURI, NANDED-431 606 (M.S.)  
(an autonomous Institute (Cent-percent) funded by Govt. of Maharashtra)

Website: [www.sggs.ac.in](http://www.sggs.ac.in) [www.sggsnanded.org](http://www.sggsnanded.org) Telephone (D) 04262-229234 EPABX 229306/07/229235 Fax No. 229236

**TENDER NOTICE**

Call-II

Sealed tenders are invited by, the Director, Shri Guru Gobind Singhji Institute of Engineering & Technology, Vishnupuri, Nanded from Government registered Contractors/Agencies. The blank tender forms are available on Institute web site [www.sggs.ac.in](http://www.sggs.ac.in) at cost mentioned below, (Non-Refundable). Two envelopes system will be followed.



The tenders are available from 26/07/2023 to 02/08/2023 and will be accepted up to 13.30 hrs. on or before 02/08/2023. The tenders will be opened on the same day if possible at 15.00 hrs. or next working day.

The right to accept any tender or reject the lowest or any or all tenders without assigning any reason is reserved with the Director.

Sr. No.	Name of Work	Cost of Tender in Rs.	Estimate Cost in Rs.	E.M.D. in Rs.	Security Deposit	Time Limit
01	Providing and laying rough shahabad flooring in front Room no. RQ-01 & RQ-04 of research scholar quarter	200/- + 18% GST	70,270/-	1400/-	5% of Tender Cost	60 Days



DIRECTOR

Sl/c    




SHRI GURU GOBIND SINHJI INSTITUTE OF ENGINEERING & TECHNOLOGY,  
VISHNUPURI, NANDED - 431606 (M.S.)

---

---

DETAILED TENDER NOTICE

A) **INVITATION OF TENDER:**

Sealed tenders are invited by the Director, on behalf of Shri Guru Gobind Singhji Institute of Engineering & Technology, Vishnupuri, Nanded, for "Providing and laying rough shahabad flooring in front Room no. RQ 01 & RQ-04 of research scholar quarter."

**PURCHASE OF DOCUMENTS:**

The tender documents containing relevant terms and conditions will be made available on Institutes web site [www.sggs.ac.in](http://www.sggs.ac.in) from 26/07/2023 to 02/08/2023.

Application for tender documents shall be accompanied by receipt of Rs. 200/- + GST, (Rupees Two Hundred + GST) (Non-refundable) towards the cost of tender document. Contractor has to remit the tender cost & E.M.D. online.  
<https://www.onlinesbi.com/prelogin/icollecthome.htm>

**EARNEST MONEY DEPOSIT (E.M.D.):**

The tender should accompany with an Earnest Money Deposit of Rs. 1400/- (Rs. One thousand four hundred Only) in the form receipt by remitting the amount online. <https://www.onlinesbi.com/prelogin/icollecthome.htm>. The E.M.D. shall be valid for a period of not less than 180 days from the date of opening of the tender. Any type of exemption for E.M.D. will not be given or considered. The tenders not accompanied by an earnest money deposit shall be treated as "non-responsive" and may be rejected. The E.M.D. will be returned after depositing the security deposit. No interest will be paid on EMD.

CONTRACTOR

**THE LANGUAGE OF TENDER:**

The tender shall be submitted in the prescribed forms in English. All literature and correspondence in connection with the tender shall be in English.

**TENDER VALIDITY PERIOD:**

The tender shall be valid for a period of 90 days after the date of opening of tender.

**MODE OF SUBMISSION OF TENDER:**

The Sealed tender shall be addressed to the Director, Shri Guru Gobind Singhji Institute of Engineering & Technology, Vishnupuri, Nanded-431 606. The bidders are required to submit duly filled Technical Bid and financial Bid. It should be written boldly on the top of the envelope as "**Technical Bid and Financial Bid**". Both envelopes should be submitted separately in sealed cover duly addressed and super scribed with "**Providing and laying rough shahabad flooring in front Room no. RQ 01 & RQ-04 of research scholar quarter.**"

The bidder will be shortlisted on the basis of their competence after opening the Technical Bid. The financial bid of only those bidders who are short listed on the basis of technical bid will be opened and the bid with lowest quotation among the open bids will normal be approved.

1. The last date of receipt of sealed tender is **02/08/2023** till **13.30 Hrs**
2. The tenders will be received by the Site Engineer on behalf of the Director, Shri Guru Gobind Singhji Institute of Engineering & Technology, Vishnupuri, Nanded. at Institute campus, Vishnupuri, Nanded
3. The tender will be opened on **02/08/2023** at **15:00Hrs.** or next working day
4. The tender details are also available at Notice Board of Site Office of this Institute.
5. This office reserves the right to postpone/and/or extend the date of receipt, opening of bids or to withdraw the same without assigning any reason thereof.
6. The contractors are required to submit the bids only after satisfying each and every condition laid down in the terms and conditions.
7. All the rates must be written both in figures and words. Corrections, if any, are to be made by crossing out, initialing, dating and rewriting. In case of discrepancy between the words and figures, the rates beneficial to institute shall prevail.
8. Tenders received late will not be considered. Or Tender received late on account of any reason whatsoever will be returned to the tenderer unopened. Telegraphic/Postal tenders will not be entertained.

CONTRACTOR

**ENVELOPE NO 1:** This Sealed Envelope superscripted as envelope No. 1 **Technical Bid** should contain following documents

- i) Forwarding Letter on Letter pad. Containing Index of attached documents with page no. as mentioned below.

**INDEX**

Sr. No.	Details of document	Page No.
1	Details of Tender cost 1) Amount: Rs.200/- + 18% GST 2)Date: 3)SBI collect Reference No:	
2	Details of EMD 1) Amount: Rs. 2)Date: 3)SBI collect Reference No:	
3	Certificate of Registration of contractor with PWD, CPWD, BSNL, MJP, Shop Act.	
4	Certificate of GST No.	

**ENVELOPE No. 2:** This envelope super scribed as Envelope No. 2 must contain following documents.

- i) The filled tender documents.
- ii) Certified copy of partnership deed and power of attorney in case of firm.

**OPENING OF TENDER:**

The tenders will be opened on **Date 02/08/2023 at 15.00 hrs** or on next official working day at the same time in presence of such tenderers who remain present at the time of opening.

**AWARD OF CONTRACT:**

The award of contract will normally be made within 15 days after the opening of the tender. The offer should be valid for 90 days

**WHOM TO CONTACT:**

For any further information on the tender, The Site Engineer, Shri Guru Gobind Singhji Institute of Engineering & Technology, Vishnupuri, Nanded, may be contacted.

**B) GENERAL CONDITION:**

- 1) The terms and conditions, which will govern the contract made on behalf of the Institute, are also enclosed.
- 2) The tenderers are instructed to read the enclosed Instructions. Terms & Conditions CAREFULLY before quoting the rates in the tender and comply with the same.
- 3) The tenderer should satisfy all the conditions and instructions, which are mentioned in the tender notice and in the pages of tender.
- 4) Conditional tender will not be accepted.
- 5) All the tenders are cautioned that the tender containing any deviation from the contractual terms and conditions, specifications or other requirements will be treated as "non-responsive" and rejected.

CONTRACTOR

- 6) Alternative tenders are not acceptable. However, in a separate letter suggestion can be made by tenderers.
- 7) Award is made to those tenderers whose responsive tender is determined to be the lowest evaluated tender and who meets the appropriate standards of capacity and as per the existing Laws which are applicable and also fulfills the tender conditions.
- 8) Contractors who have successfully done similar works in this region in past will be given preference.
- 9) **The Director reserves the right with himself to delete any item or items or to increase or decrease of any item or items from the tender at any time during execution of work.**
- 10) In case it is felt that the contractor has quoted the rates far less than the estimated rates then the Director at his discretion will ask the Contractor to deposit the difference between estimated cost and the quoted cost, so that in case the work is left halfway, the work can be executed at the risk and cost of the contractor in time. This deposit will in addition to the other things such as normal Security Deposit and will be refunded on satisfactory completion of work or during the progress of the work, if the progress of work is found satisfactory with the permission of the Director.
- 11) The Director reserves a right to allot a part of work to other bidders in case it is felt by him that the successful lowest bidder may not be able to complete the work in time. In such a case the rate to be paid to other bidder/bidders will be that of the lowest bidder only. The works are required urgently and time bound hence the bidders should take a note of their active role in timely completion of work. Time is essence of contract.
- 12) Immediately upon receipt of the tender documents, all tenderers are urged to submit a written request on matters where clarifications or additional information is desired with Site Engineer and if case of any difficulty in getting proper reply similar request as appeal be made to the Dean, Planning and Resource Mobilization, who may clarify the matter if he feels it is essential. Otherwise, the decision taken by Site Engineer is considered as final.
- 13) Arithmetical errors will be rectified on the following basis. If there is a discrepancy between the unit price & the total price that is obtained by multiplying the unit price and quantity, the unit price shall prevail and the total price shall be corrected. If there is a discrepancy between words & figures, the lower of the two will prevail. If the Bidder does not accept the correction of errors, its bid will be rejected.
- 14) The right to accept or reject any or all the tender/s from any or all the agencies without assigning any reason is reserved.

CONTRACTOR



***INSTRUCTIONS FOR TENDERERS***

- 01 The tender documents in sealed envelope should reach this office at Vishnupuri, Nanded up to 13.30 Hrs. on Date 02/08/2023.
- 02 Tenders received late will not be considered.
- 03 The bidder shall sign and stamp each page of this bid document and all other enclosures appended to it as a token of having read and understood the terms and conditions contained herein and submit the same.
- 04 The tenderer should put his signature at the bottom of each page of tender document. If the tender is made by an individual it shall be signed with his full name. If the tender is made by a proprietary firm it shall be signed by proprietor above his name of his firm. If tender is made by a firm in partnership it shall be signed by all the partners of the firm above holding the power of attorney for the firm for signing the contract in which case a certified copy of the partnership deed, current address of the firm and the current address or all the partners of the firm shall also accompany the tender.
- 05 All witness and sureties shall be persons of status and probity and their full name, occupations and address shall be started below their signature.
- 06 The contractor shall pay along with the tender a sum of Rs. 1400/- (Rs. **One thousand four hundred only**) by way of earnest money. The contractor may remit the said amount online <https://www.onlinesbi.com/prelogin/icollecthome.htm>. The said amount of earnest money shall not carry any interest whatsoever.
- 07 If, after submitting the tender, the contractor withdraws his offer or modifies the same, or if after the acceptance of his tender the contractor fails or neglects to furnish the balance amount of security deposit the Institute shall be entitled to forfeit the full amount of earnest money deposited by him.
- 08 The Director or his duly authorized officer shall open tenders in the presence of contractors who have submitted tenders or their representatives who may be present at the time, and he will enter the amounts of the several tenders in a comparative statement in a suitable form.
- 09 No receipt for any payment alleged to have been made by an Contractor in regard to any matter relating to this tender or the contract shall be valid and binding on the Institute unless it is signed by the Director & Secretary of the Institute society.
- 10 **The right to accept any tender or reject the lowest or any or all tenders without assigning any reason is reserved with the Director.**

CONTRACTOR



***FURTHER INSTRUCTIONS FOR THE GUIDENCE OF TENDERERS***

The **tender will be liable to be rejected outright** if any of the conditions mentioned below arises individually or cumulatively, while submitting it.

- I) The tenderer proposes any alteration in specifications, conditions for carrying out the work or any other conditions.
- II) Any of the pages of the tender are removed and or replaced. (Contractors should put all the pages of tender from 1 to 16)
- III) Any erasures are made by him in the tender.
- IV) All corrections, additions or pasted slips are not initialed by the tenderer.
- V) The tenderer or in case of a firm each partner thereof does not sign or the signature is/are not attested by a witness on page No.8 of the tender in the space provided for the purpose.

CONTRACTOR



## TENDER FOR WORK

01. I / We hereby tender for the execution for Shri Guru Gobind Singhji Institute of Engineering & Technology, Vishnupuri, Nanded or the work specified in the underwritten memorandum and within the schedule B and in accordance in all respects with the specifications, instructions, terms & conditions in writing referred in tender.

### MEMORANDUM:

General Description : "Providing and laying rough shahabad flooring in front Room no. RQ 01 & RQ-04 of research scholar quarter(Call-II)."

b) Estimated Cost : Rs.70,270/-

c) Earnest Money : Rs. 1400/- (Rs. One thousand four hundred only)

d) Security Deposit : 5% of tender cost. (2% is to be deposited at time of agreement and remaining 3% will be deducted from the bills)

e) Time Limit : 60 Days.

02. I/We agree that this offer shall remain open for acceptance for a minimum period of 90 days from the date fixed for opening the same and thereafter until it is withdrawn by me/us by notice in writing duly addressed to the authority opening the tenders and sent by Registered Post A.D. The amount of earnest money shall not bear any interest and shall be liable to be forfeited to the Institute should I/we fail to (i) abide by the stipulation to keep the offer open for the period mentioned above or (ii) sign and complete the contract documents as required by the officer in charge and furnish the security deposit as specified in the item (d) of the Memorandum contained in paragraph – (1) above within the time limit laid down in clause (09) of the Annexed terms and conditions of contract. The amount of earnest money may be adjusted towards the security deposit or refunded to me/us if so desired by me/us in writing, unless the same or any part thereof has been forfeited as aforesaid.

03. Should this tender be accepted I/We hereby agree to abide by a fulfill all the terms, and provisions of the conditions of contract annexed here to so far as applicable, & in default thereof to forfeit and pay to Institute the sum of money mentioned in the said conditions.

Contractor's Signature  
(Before Submission of tender)





### Terms and Conditions of Contract

**CLAUSE 01.**

Tendered rates shall include all the taxes, royalties, GST, levies any other taxes, which are applicable as per the rules of Government of India and Govt. of Maharashtra.

**CLAUSE 02. Security Deposit:**

1. The Successful tenderer whose tender is accepted will have to pay 5% of tender amount towards the security deposit.
2. **Initial Security Deposit is 2%.** of which is to be deposited online <https://www.onlinesbi.com/prelogin/icollecthome.htm>. at E.M.D will be converted as I.S.D & balance S.D of 2% is to be deposited online at the time of agreement. Remaining 3% amount of security deposit will be deducted from each running account bill.
3. The Security deposit less any amounts due under the clause no. (17) "Recoveries" shall be returned to the agency after end of the contract without interest on amount and subject to officer in-charge certifying that no liability attaches to the Contractor/agency.
4. The security deposit will liable to forfeited in the event of non-fulfillment of terms and conditions by the tenderer. Any loss from the bad services of the Contractor as determined by the authority is recoverable for security deposit.

**CLAUSE 03. RECOVERIES:**

Any recovery advised by the Institute shall be recovered from any bill or money retained in the form of security deposit.

**CLAUSE 04. NOTICE AND INSTRUCTIONS:**

The Contractor shall furnish the correct postal address of his head office. Any notice or instruction to be given to the Contractor shall be deemed to have been served if it has been delivered to his authorized person / security officer or representative at site of work or sent by registered letter to the office or to the address of the firm last provided by the contractor / agency.

**CLAUSE 05.**

**Deduction of taxes:** The Income tax and GST as per rules of Government will be deducted.

**CLAUSE 06.**

The above contract is placed temporarily and no liability lies with the Institute for regulation of worker's/ Supervisor provided by you.

CONTRACTOR

CLAUSE 07.

The workers, guard and other persons deployed by the agency shall have to carry with them Identity card duly issued by the agency for our checking and satisfactions.

CLAUSE 08.

Contractor/Agency will be responsible for all legal provisions under various applicable Acts.

CLAUSE 09.

Successful tenderer should have to **submit an Agreement Bond of Rs.100/- within three days from receipt of letter of accepting his tender / work order.** In case a contractor is eligible for more than one work in that case he will be allotted works only up to his limit as in requisition. However, the director may relax this condition to the extent.

CLAUSE 10.

Successful tenderer/agency should be abide by terms and conditions as prescribed by Institute authorities.

CLAUSE 11.

The selected Contractor / agency should maintain record of machinery, material movement, Gate pass system of Records. Thus maintained all records in original should be deposited to the Institute as and when required.

CLAUSE 12.

The Director, S.G.G.S. Institute of Engineering & Technology, Vishnupuri, Nanded is the arbitrating authority, any matters of dispute/differences out of this contract, his decision in the matter shall be final and binding on the contractor. However, if not satisfied by the decision then the procedure will be as per India Arbitration Act.

CLAUSE 13.

The Director, S.G.G.S. Institute of Engineering & Technology, Vishnupuri, Nanded may put an end to the contract at any time or in case of bad workmanship bad service by notice in writing and finalize the bills at reduced rates as decided by the Site Engineer.

**CLAUSE 13 (A) TIME LIMIT:** "Time is essence of contract". The time limit for the work is as mentioned in the tender notice. The time limit will start from the date of handing over of site or receipt of the work order by the contractor whichever is later. The contractor must give a bar chart showing the activity/ time for normal completion of work. In case of delay in the completion of work a penalty of 0.5% (of tender cost) per day will be imposed on the contractor max. up to 10% (of tender cost) then the contract will be terminated and work will be got executed at the risk and cost of contractor. Director may give any extension in case of genuine reasons on the application of the contractor oral or in writing.

**CLAUSE 14. ACCIDENTS:**

It shall be the **Contractors responsibility to protect against accidents on the works.**

CONTRACTOR

**CLAUSE 15. REMOVAL OF CONTRACTORS MEN:**

The contractor shall on written direction of the Director or the Officer-in-charge immediately remove from the work, any person employed thereon who may, in the opinion of the officer-in charge or Director be incompetent or has misconduct himself and such person shall not be again employed on the works. Institute will have no liability on this account.

**CLAUSE 16. : SAFETY PROVISIONS:**

The Contractor shall at his own expense arrange for the safety in his operation including the provision in the safety code published by Govt. and which is applicable for, failure to comply with safety provisions the Contractor / agency shall without prejudice to any other liability pay to Institute a sum of 2 percent of tender amount.

**CLAUSE 17. DEFAULT BY CONTRACTOR:**

If the Contractor / agency shall neglect or fail to proceed with the works with due diligence or violate any of the provisions, terms and conditions of the contract, the Director or Officer – in-charge may give the contractor/agency a notice identifying deficiencies in performance and demanding corrective action.

If the Contractor fails to take satisfactory corrective action within fifteen days after the receipt of the notice, the Director will terminate the contract in whole or in part. In case the entire contract is terminated, the amount of security deposit together with the value of work done but not paid shall stand forfeited to the Institute.

**CLAUSE 18.**

**Defect liability period is considered of 6 months from the virtual completion of work or from the date of final bill whichever is earlier. Contractor should obtain virtual completion certificate from concern department.**

The contractor shall make good at his own cost and to the satisfaction of the Engineer Incharge, all defects, shrinkages or small faults arising in the opinion of the Engineer In charge / Head of the Department from work or materials not being in accordance with the drawing or specifications or schedule of quantities or the instructions of Engineer In charge, which may appear within “Defects Liability Period”.

**CLAUSE 19. SUB – LETTING:**

The Contractor / agency shall not sub-let any portion of the contract without the written permission of the Director.

**CLAUSE 20.**

In case of tender by partners, any change in the constitution of a firm shall be forthwith notified by the contractor/agency to the Director for his information within 20 days.

**CLAUSE 21.**

The contractor is expected to follow all the conditions mentioned in the various clauses of the tender and follow all the provisions of Govt. laws such as minimum wages Act. etc. However, while evaluating the tender following points will be given due weightage. The contractor must submit the copies of the relevant documents as a proof.

**CLAUSE 22.**

The contractor/Agency shall not employ in connection with the work any person who is below 18 years.

**CLAUSE 23. COMPENSATION:**

Compensation for all damages done intentionally or unintentionally by Contractors workers or any other person whether in or beyond the limits of Institute property including any damage caused by the spreading of fire or any other damage shall be estimated by Site Engineer or such other officer as he may appoints and the estimates subject to the decision of Director on appeal shall be final and the contractor shall be bound to pay the amount of the assessed compensation on demand, failing which, the same will be recovered from the security deposit or reduced from any sums that may be due or become due from Institute to Contractor / agency under this contract or otherwise.

The Contractor shall bear the expenses of defending any action or other legal proceedings that may be brought by any persons for injury sustained by him owing to neglect of precautions of safety provisions and he shall pay any damages and cost that may be awarded by the court in consequence.

**CLAUSE 24.**

The Contractor shall be responsible for and shall pay any compensation to his workmen payable under the workmen's compensation Act 1923 (Herein after called the said Act) for injuries caused to the workmen, if such compensation is payable / paid by the Institute as Director employer under sub-section of (i) of section 12 of the said Act on behalf of the Contractor it shall be recoverable by the Institute from the contractor under sub-section (2) of the said section. Such compensation shall be recovered from any sums that may be due or become due from Institute to Contractor or from the security deposit.

- (a) The Contractor/ Agency shall be responsible for and shall pay the expenses of providing Medical-Aid to any workmen who suffer a bodily injury as a result of an accident. If such expenses are incurred by the Institution the same shall be recovered from the contractor forthwith and be deducted without prejudice to any other remedy of the Institution from any amount due or that may become due to the contractor/agency.
- (b) The Contractor/Agency shall provide all necessary personal safety equipment's and first aid apparatus available for the use of the person employed on the site and shall maintain the same in condition suitable for immediate use at any time and shall comply with following regulations in connection therewith.
  - a. The workers shall be required to use the equipment's, so provided by the contractor and the contractor shall take adequate steps to ensure proper use of the equipment by those concerned.
  - b. Adequate provision shall be made for prompt first-aid treatment of all injuries likely to be sustained during the course of the work.

CLAUSE 25.

The contractor shall duly comply with all the provisions of the contract labour (Regulation and Abolition) Act, 1970 and the Maharashtra Contract Labour (Regulation and Abolition) Rules 1971 as amended from time to time and all other relevant statutes and statutory provisions concerning payment of wages particularly to workmen employed by him on the site of the work at the rates prescribed under the Maharashtra contract Labour (Regulation & Abolition) Rules 1971. If the contractor fails or neglects to pay wages at the said rates or make short payment and the Institution makes such payment of wages in full or part thereof less paid by the contractor, as the case may be, the amount so paid by the Institution to such workers shall be entitled to recover the same as such from the contractor or deduct the same from the amount payable by the Institution to the contractor here under or from any other amount/s payable to him by the institution.

CLAUSE 26.

The Contractor shall pay fair and reasonable wages to the workmen employed by him, in the contract undertaken by him. In the event of any dispute arising between the contractor and his workmen on the grounds that the wages paid are not fair and reasonable, the dispute shall be referred without delay to the Director, who shall decide the same. The decision of the Director shall be conclusive and binding on the contractor/agency but such decision shall not in any way affect the condition in the contract regarding the payment to be made by the Institute at the sanctioned tender rates.

CLAUSE 27.

R.A. bill will be paid as per the quantity of execution during the progress of work. The final bill will be paid only after completion certificate is issued and contractors have to submit detailed measurements of quantities and a bill thereof.

CLAUSE 28.

All payments to the Contractor / agency shall be made through ECS/ NEFT/ RTGS or Crossed Account Payee cheques only.

CLAUSE 29.

The Institute will not provide any housing facility to any worker or any other person. The Contractor / agency have to make their own arrangements. Institute will help in setting up of site office.

CLAUSE 30.

The Contractor / agency will have to maintain muster Roll and submit it as and when asked by the Director or Officer – in-charge for checking.

CLAUSE 31.

The Contractor shall comply with all rules, regulations, bye-laws and directions given from time to time by any local or public authority connection with this work and shall pay fees or charges which are reliable on him without any extra cost to the Institute.

CONTRACTOR

CLAUSE 32.

Any disputes or differences, Questions whatsoever arises from this Tender or Contract will subject to **NANDED JURIDICITION ONLY.**

CLAUSE 33.

Any communication regarding the opening, extension and cancellation of tender or any correspondence with regards the tender will be done only through E mail addresses and or on telephone no./ Mobile no. as provided by the bidders during the course of tender, hence it is advised to check the respective E mail account regularly till the completion of this process.

CONTRACTOR

## ACCEPTABLE BRANDS/MAKES OF MATERIALS

1. List of Brands of some materials are given in table.
2. Despite the listing of acceptable Brands of some materials below, prior approval from the Site Engineer is mandatory in respect of any Brand/ Make to be used in the construction.
3. All other material not mentioned below should be ISI mark.

Sr. No.	Material	Acceptable Make/ Brand
01	Vitrified tiles	Kajaria, Euro, Nitco, Johnson
02	Ceramic Tiles	Kajaria, Somany, Regency, Johnson, Bell
03	Aluminum Section	Indal, Hindalco, Jindal
04	Sanitary Fittings	Jacuar, Parryware, Johnson
05	Stainless steel sinks	Hindware, Nirali, Jayna
06	CP Fittings and accessories	Jacuar
07	Flush valve	Jacuar
08	SWR / PVC Pipes	Supreme, Finloex, Prince
09	G.I. Pipes	Tata, Zenith, Prakash Surya.
10	G.I. Fittings	R. Brand, H.B. (ISI), Tata, Zenith, Prakash Surya.
11	Putty	Birla, Shalimar, Asian
12	Color	Asian, Nerolac
13	Plywood	Merino, Green, Mayur, Century, Kitply
14	Laminate (1mm thick)	Merino, Green, Mayur, Century
15	Glazing ( Float Glass)	Saint Gobain, Asahi, Modi
16	Paints	Asian, Nerolac, Royal, Berger
17	Door lock	Golden, Godrej, Pollo, Sollo, Europa
18	Drawer Channel	Hetichh, EBCO, Life 2K, Delux
19	Bidding	All bidding should be in teak wood
20	All Aluminium Section	Jindal Make
21	Partiele board (12mm)	Eco board, Nova pan

Note: For confirming the acceptable make/ brand of material, if asked by institute, the Contractor has to submit the original bills of purchase of material.

**SHRI GURU GOBIND SINHJI INSTITUTE OF ENGINEERING & TECHNOOGY,**  
**VISHNUPURI, NANDED 431606 (M.S.)**

### SCHEDULE "A"

Sr. No.	Description	Remarks
01	Supply of Material by Department	----- Nil -----

CONTRACTOR



**Schedule "B"**

**Name of work: -"Providing and laying rough shahabad flooring in front Room no. RQ-01 & RQ-04 of research scholar quarter (Call-ID)"**

Item No.	Item Of Work	Qty.	Unit	Rate	Total Amount
1	Providing and laying Rough Shahabad Stone Flooring 50mm to 60mm thick and of required width in plain diamond pattern on a bed of 1:6 CM. including cement float, striking joints, pointing in cement mortar 1:3 curing and cleaning etc. complete.	73.83	Sq.M.		
2	Providing and casting in situ or precast tapering R.C.C. M-20 Barrier type Kerb without gutter (as per IRC 861983) embedded 125mm below ground level over M-10 PCC finished neatly with C.M.1:2, setting the same in C.M. 1:2, including the required excavation in any strata and removing the excavated stuff any where in city and redoing the surface as specified and directed by Engineering In-charge. Using Concrete Batching and Mixing Plant.	6.90	Rg.M.		
<b>Total Amount:</b>					

**(All the Rates should be inclusive of GST)**

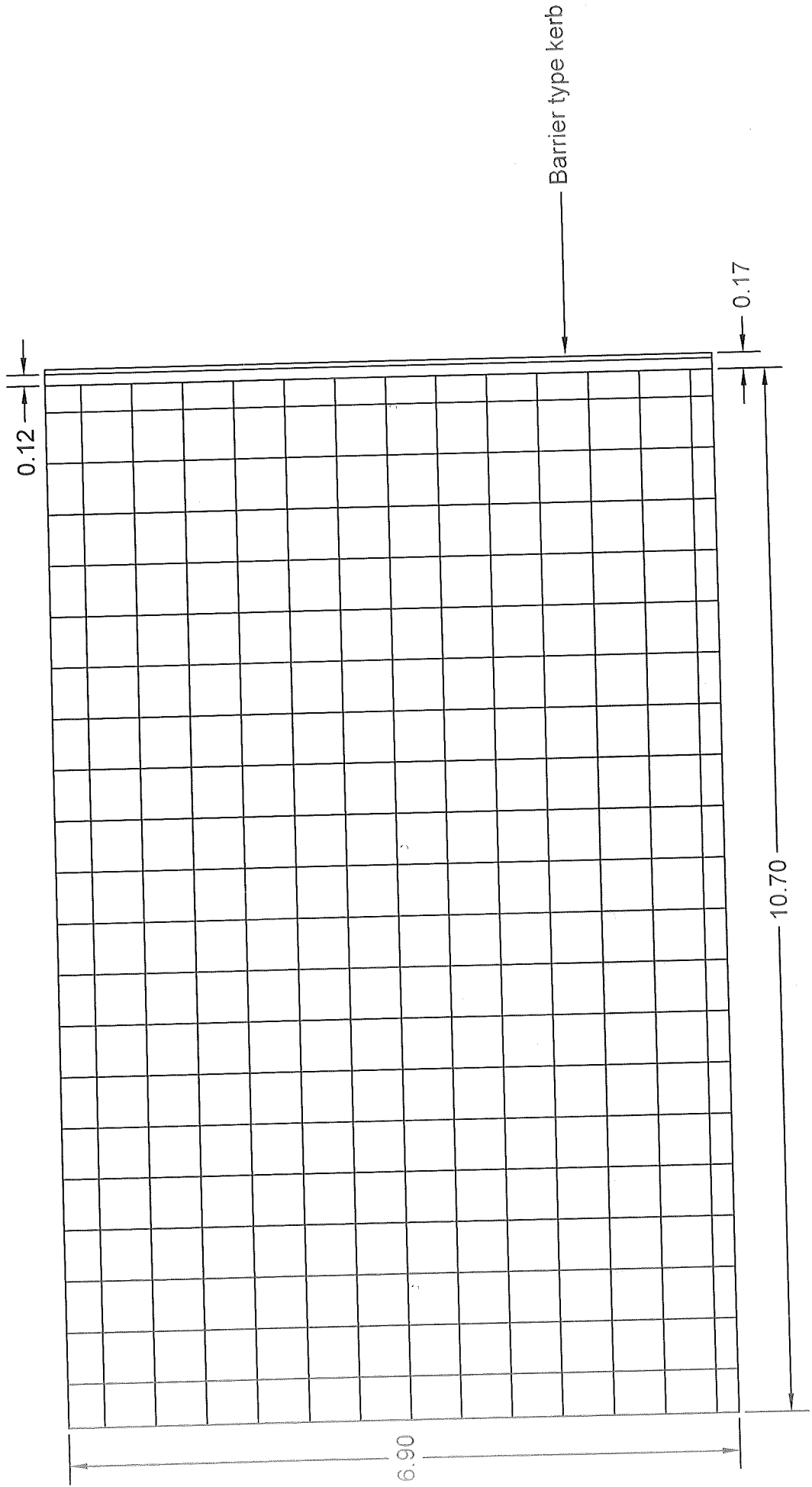
(Total In words Rs

)

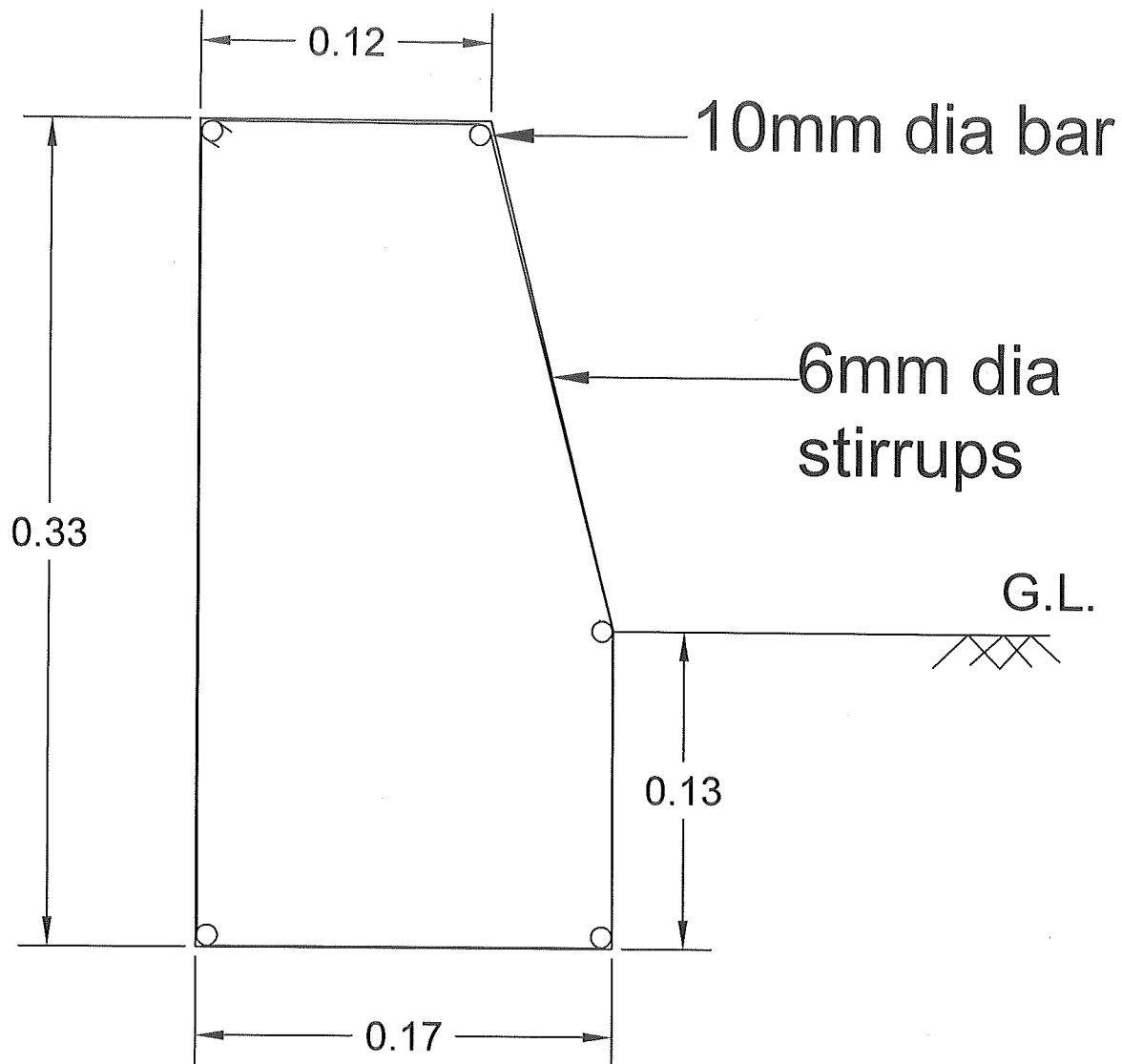
Sign & Seal of Contractor / Agency



# SHAHABAD FLOORING



PLAN



Barrier type Kerb section