

SHRI GURU GOBIND SINGHJI
INSTITUTE OF ENGINEERING & TECHNOLOGY; Vishnupuri, NANDED

No.SGGSIE&T/Store-2994/Wheel Assembly/Mechanical/2021-22

Date: 28/10/2021

Inquiry

Subject :- Quotation for supply of Wheel Assembly for Mechanical Engineering
[Specification and diagram attached with Annexure – “A”]

Dear Sir,

You are requested to send your most competitive quotation for the supply of above material, subject to Conditions mentioned. The quotation in sealed cover should reach this office on or before **11/11/2021 at 01=00 PM**

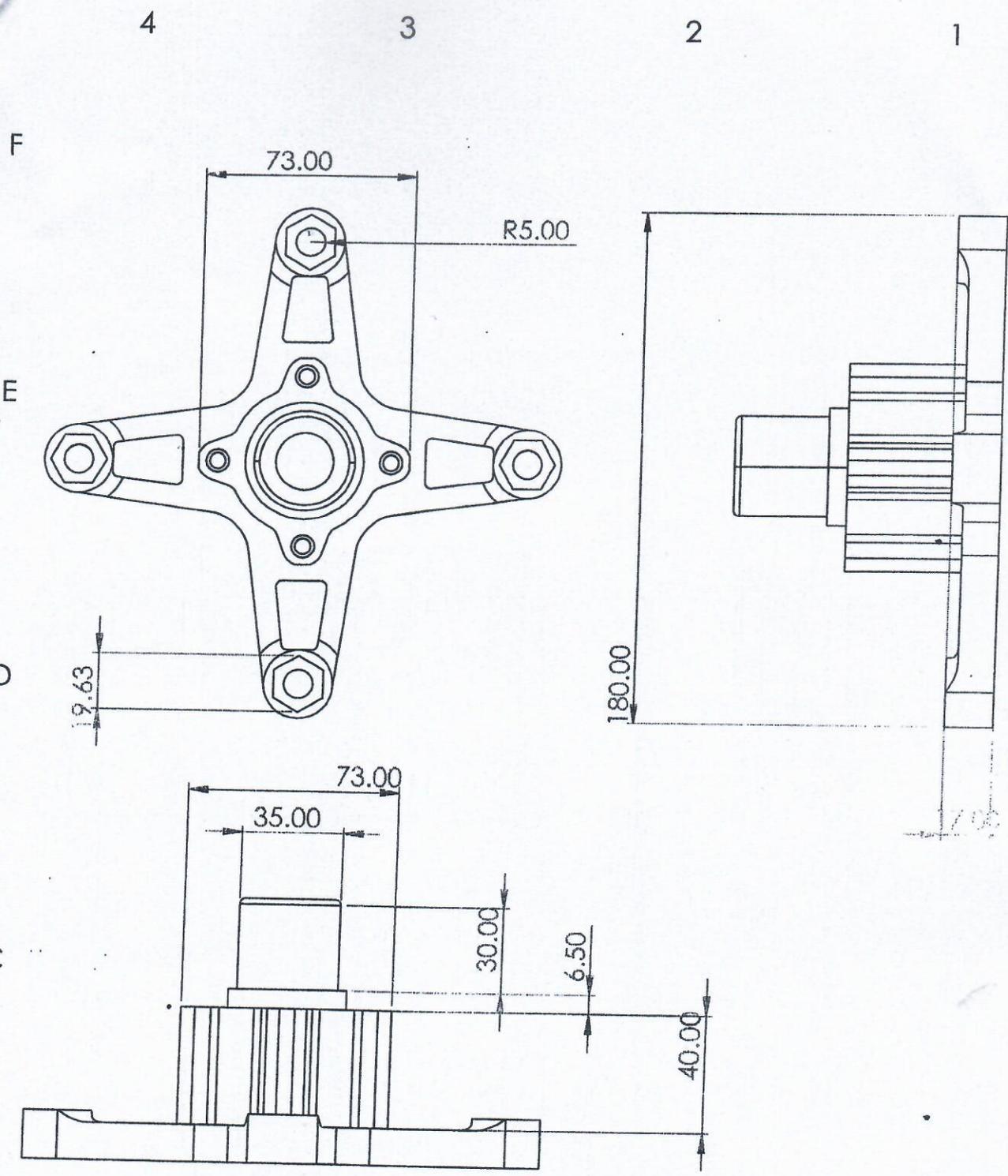
The sealed cover should super scribe as QUOTATION for above material; Due on **11/11/2021 at 01=00 PM**. The quotation will be opened on **12/11/2021 At. 01:00 pm**. If possible in the presence of such suppliers who remain present.

TERMS AND CONDITIONS:

1. Rates quoted are F.O.R. At Vishnupuri.
2. The taxes, Insurance, Freight, Packing & forwarding charges etc. If any must mention separately.
3. The validity period for the rates offered should be clearly mentioned and it should be 90 days from the date opening of the quotations.
4. The delivery period shall be clearly stated.
5. The item quoted should be confirm to the specification given please furnish your Details Specification against each item quoted. The relevant catalogue/pomp let should necessary accompany the quotations.
6. The institution reserves the right to accept any quotation or reject any/all quotations and to order Any of the items in any quantity without assigning any reason
7. The items will have checked at the institute and acceptance is subject to the approval of the institute.
8. If the supply of any part thereof is reject by institute the supplier will have to bear all expenses. Incurred in the matter including all charges for return and replacement of the items.
9. Guarantee should be minimum 12 months from demonstration/installation.
10. 100% payment will be made after receipt of material in good condition and approved by us.
11. If you are having with DGS&D rate contract, or your item is proprietary then please send copy of rate contract or proprietary item certificate along with authorized dealership certificate.
12. If your item/s is /are PROPRIETARY item, then you may please send the PROPRIETARY ITEM CERTIFICATE along with the quotation.
13. If you are AUTHORISED DEALER of any manufacturers, then please send the dealership Certificate and company price list along with the quotation.
14. **Penalty clause:** If supplier fails to supply the ordered material within the scheduled delivery period, for late delivery of goods we will entitled to recover the liquidated damages as a sum equal to ½ percent of the price of stores delivered late per week. As per store purchase manual Revised as per G.O (P) No.3/2013/SPD, dated 21.06.2013.

Thanking You,


DIRECTOR
Director's Secretary
SGGS Institute of Engg. & Tech.
Vishnupuri, Nanded.



B

Team Captain
REVISION

DO NOT SCALE DRAWING

MATERIAL : AI 7075T6

TITLE:

FRONT HUB

A

DWG NO.

001

A4

SCALE 1:2

2

SHEET 1 OF 1

1

1/7

4

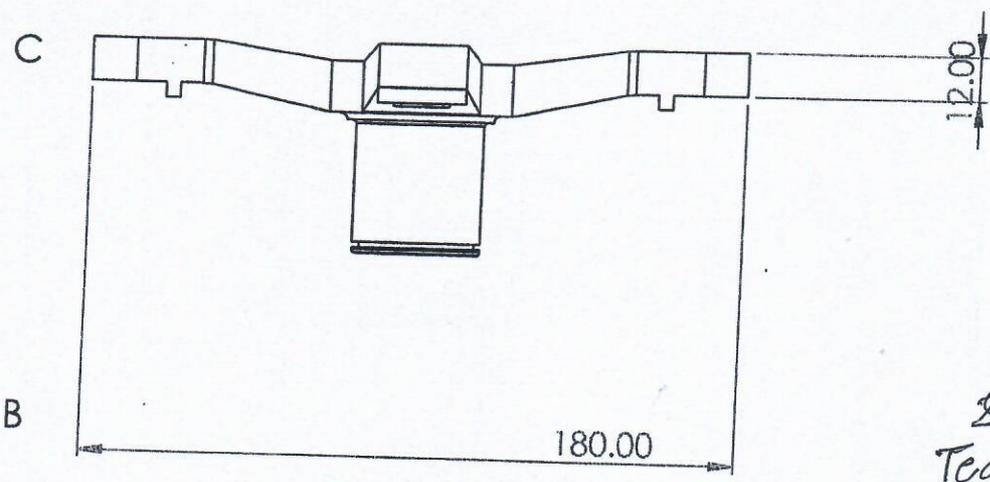
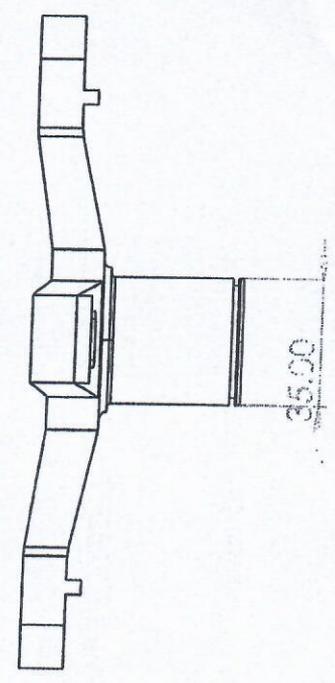
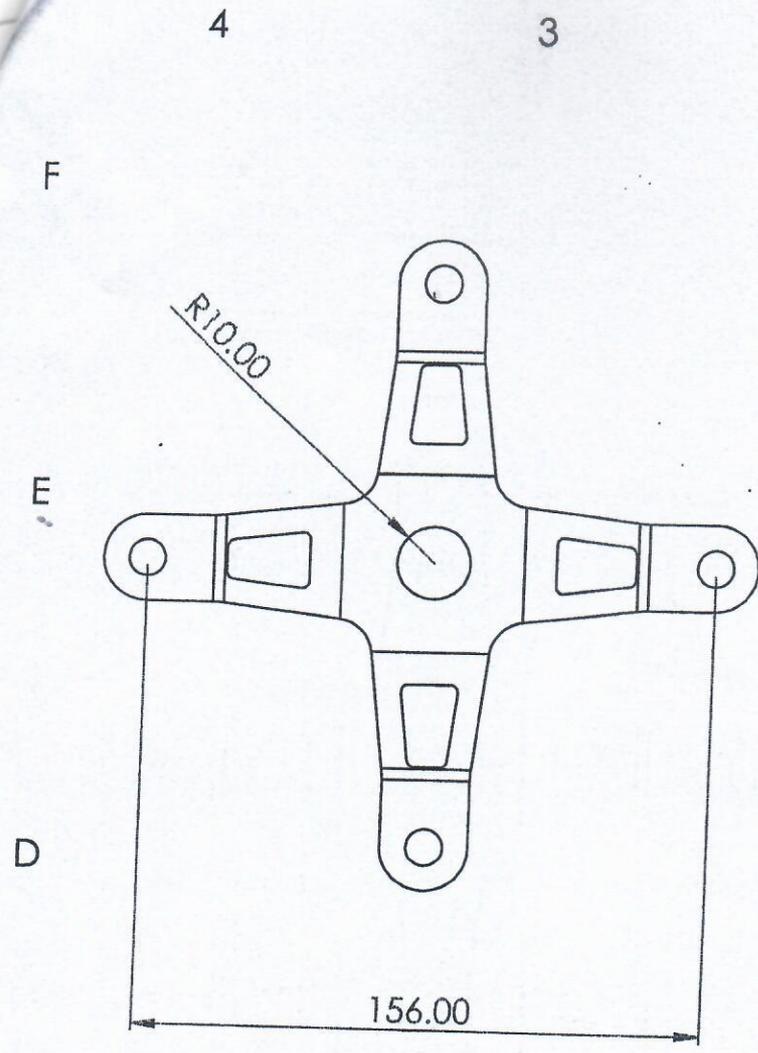
3

4

3

2

1



Atul
Team Captain

DO NOT SCALE DRAWING REVISION

MATERIAL: AI 7075T6

TITLE:
REAR HUB

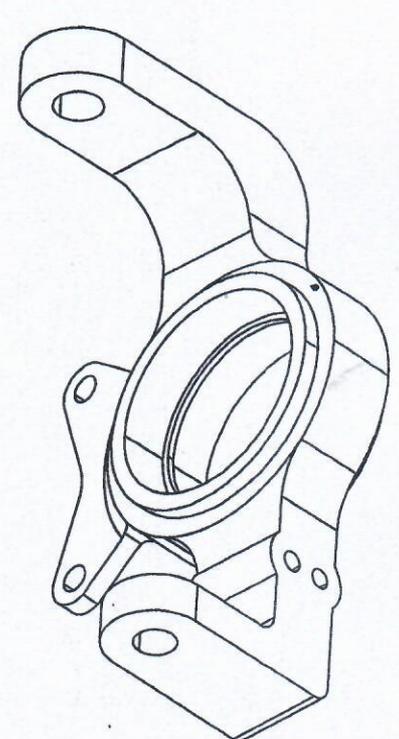
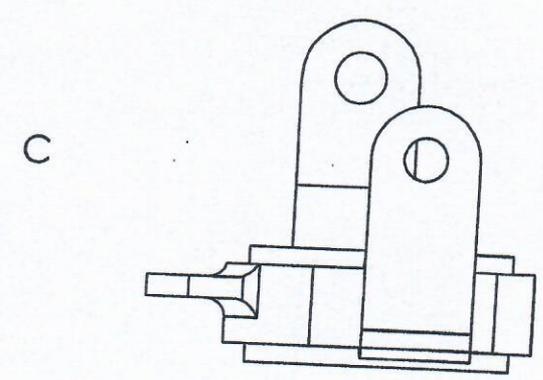
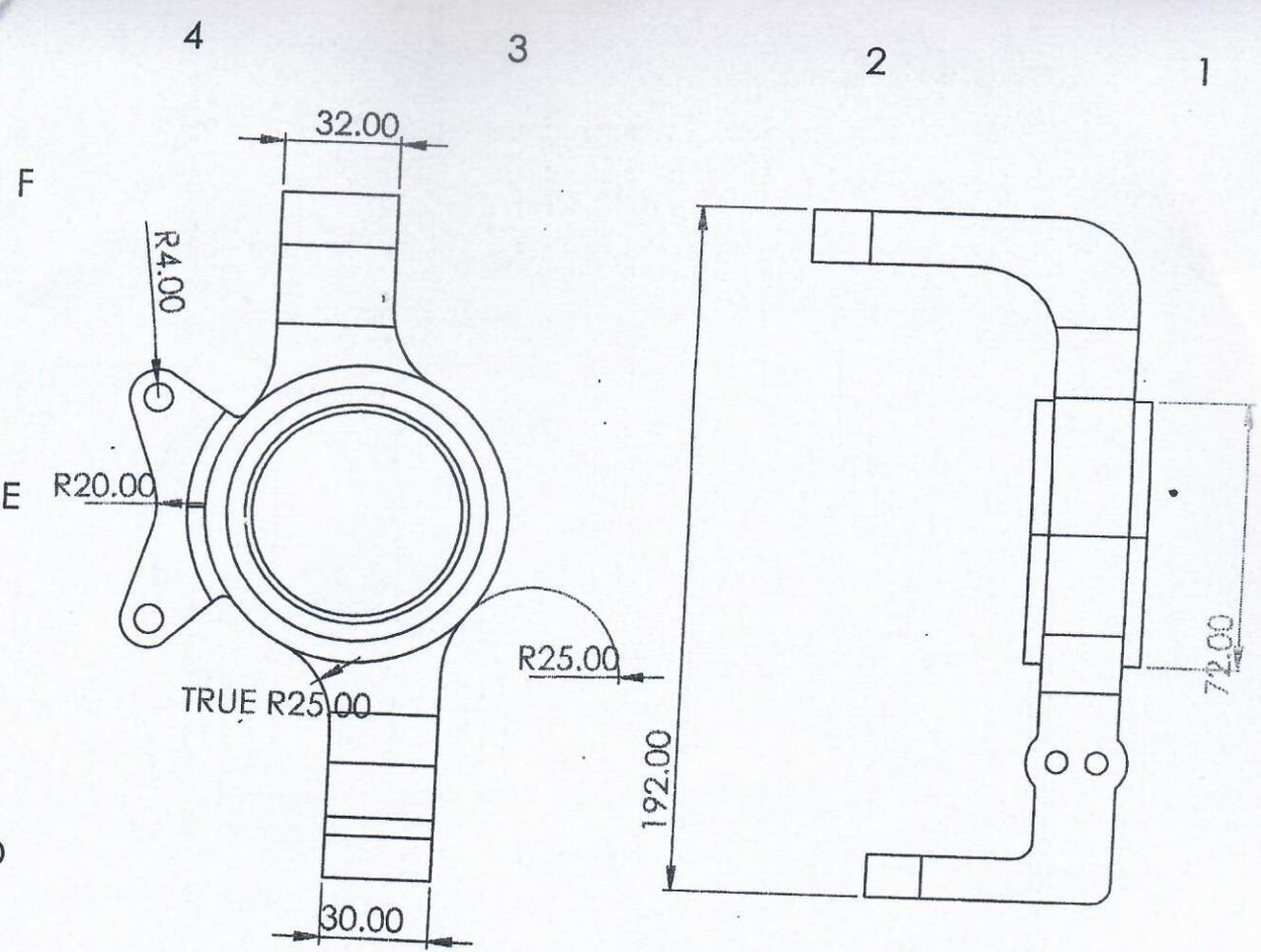
DWG NO. 002

SCALE 1:2

SHEET 1 OF 1

A4

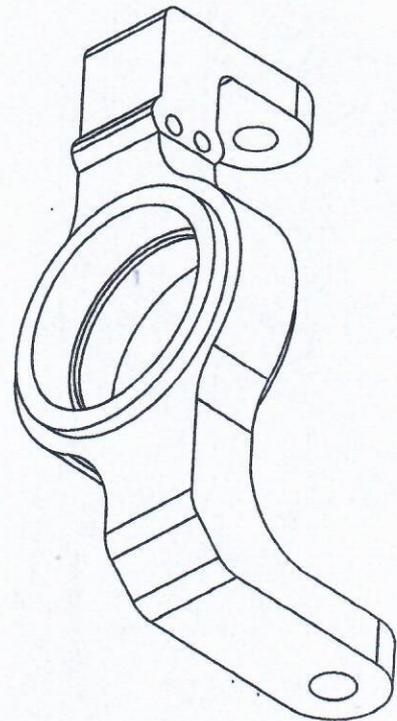
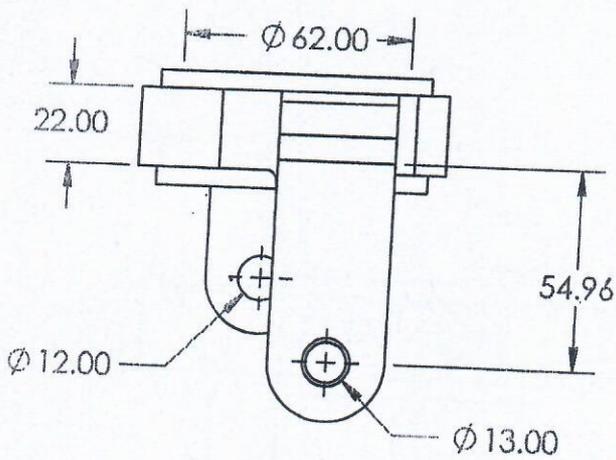
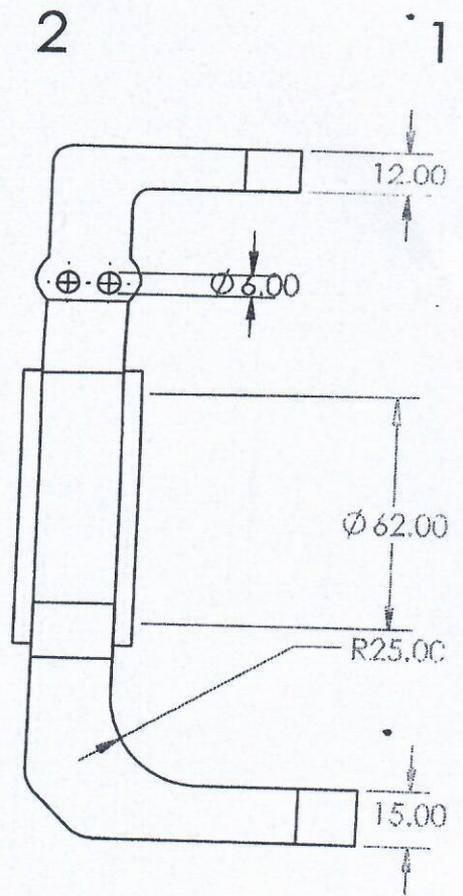
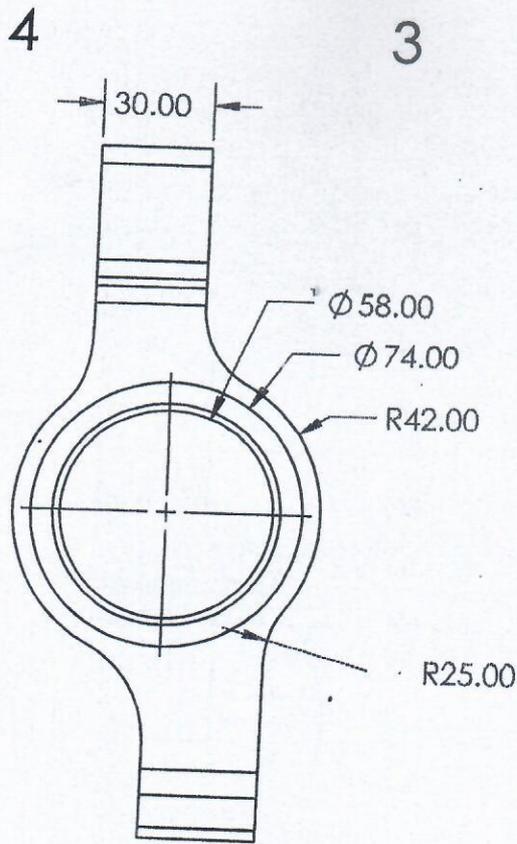
2/7



A *total*
Team Captain

DO NOT SCALE DRAWING REVISION
MATERIAL : AI 7075T6
TITLE: LEFT KNUCKLE

DWG NO. 003 A4
SCALE:1:2 SHEET 1 OF 1
2 1 3/7



DO NOT SCALE DRAWING REVISION

MATERIAL:- AI 7075T6

TITLE:

RIGHT KNUCKLE

DWG NO.

004

A4

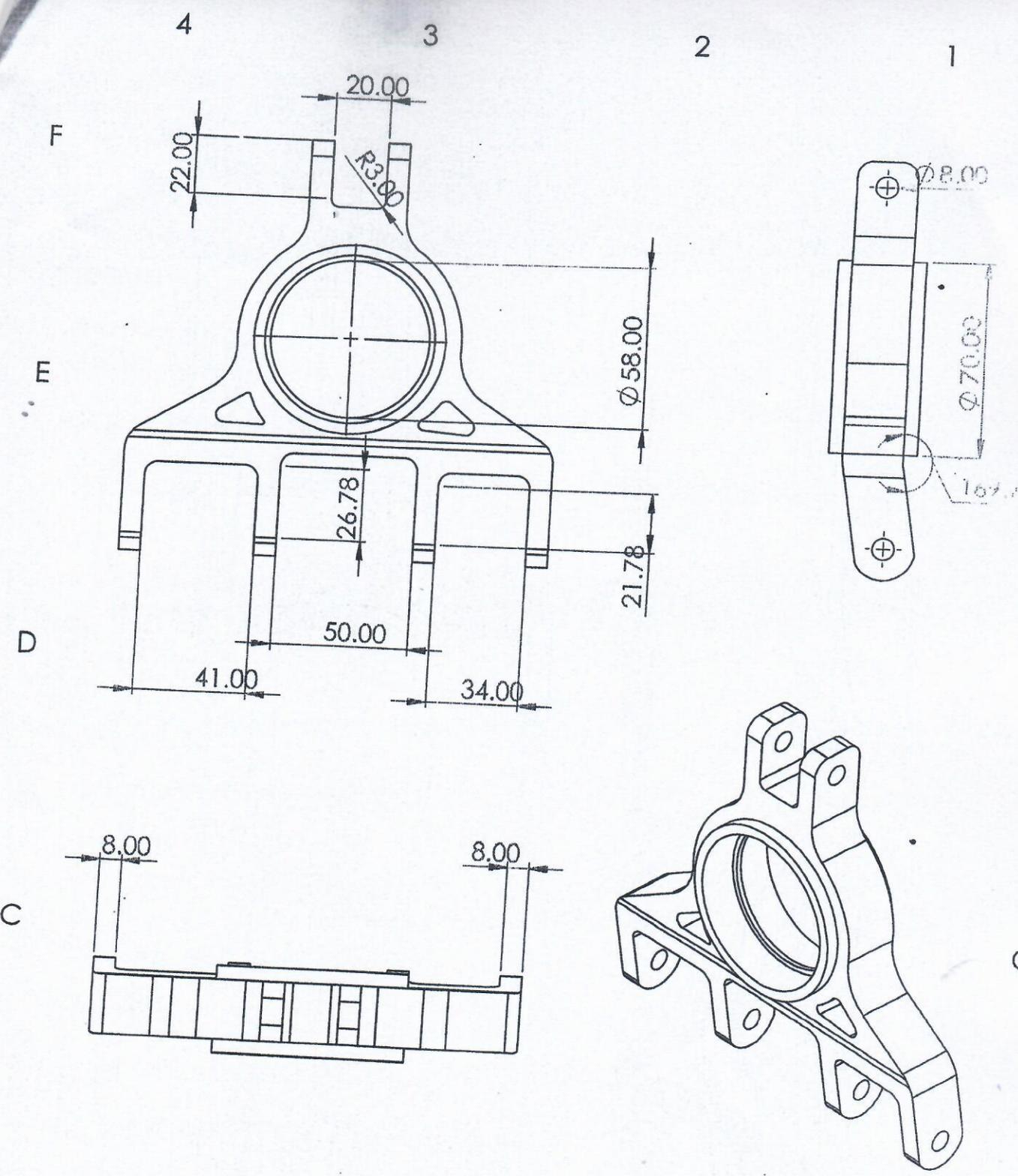
SCALE:1:5

SHEET 1 OF 1

4/7

Statal
Team Captain

4



ditul
 Team Captain

DO NOT SCALE DRAWING

REVISION

MATERIAL : AI 7075T6

TITLE:

REAR KNUCKLE LEFT

DWG NO.

006

SCALE:1:2

SHEET 1 OF 1

A

A

A4

4

3

2

1

17

4

3

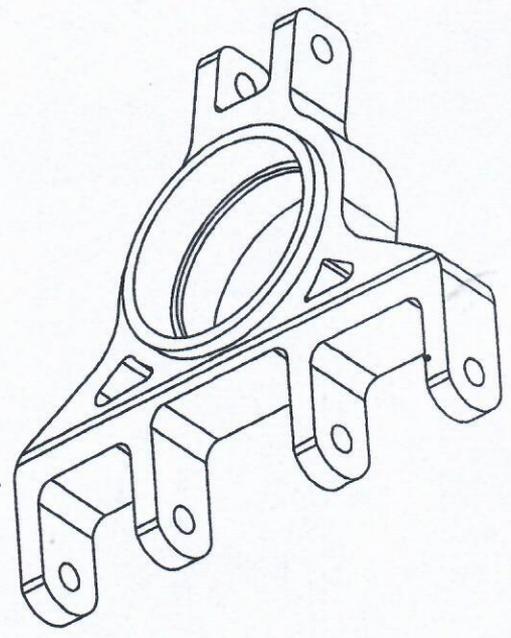
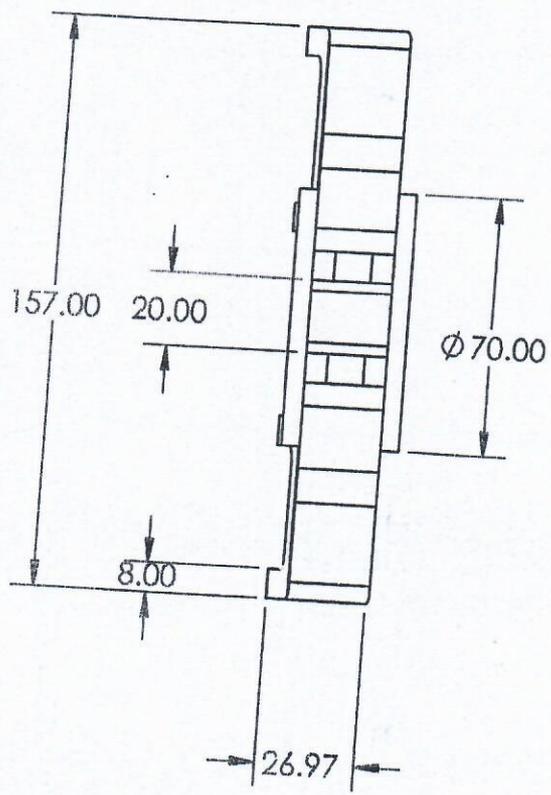
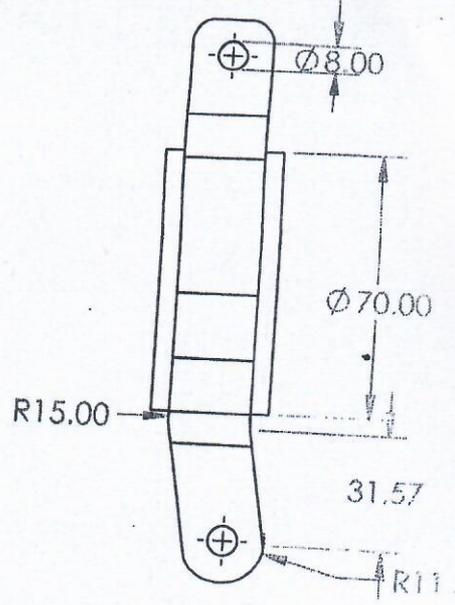
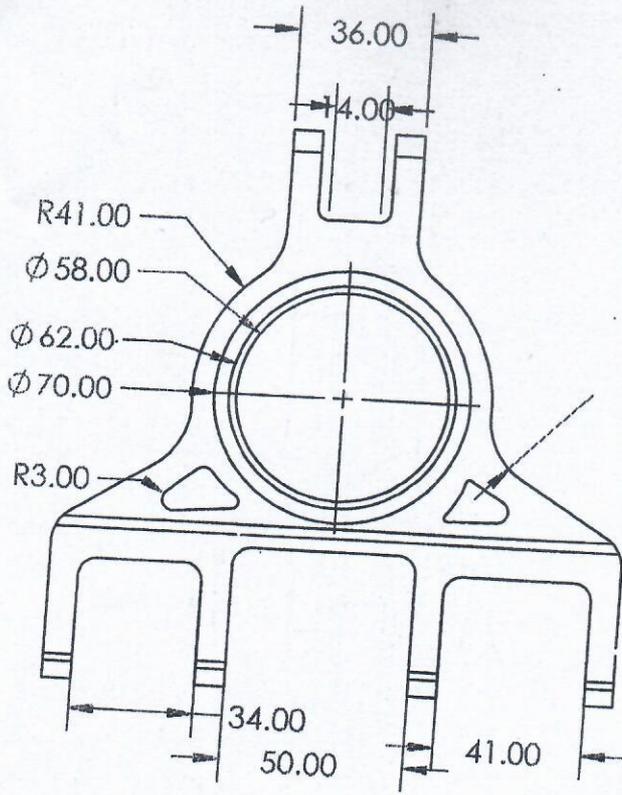
2

1

F

E

D



DO NOT SCALE DRAWING

REVISION

MATERIAL:- AI 7075T6

TITLE:

REAR KNUCKLE RIGHT

DWG NO.

005

A4

SCALE:1:5

SHEET 1 OF 1

Atul
Team Captain

4

3

A

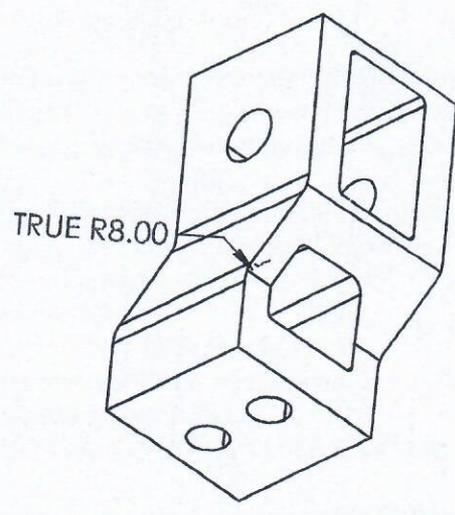
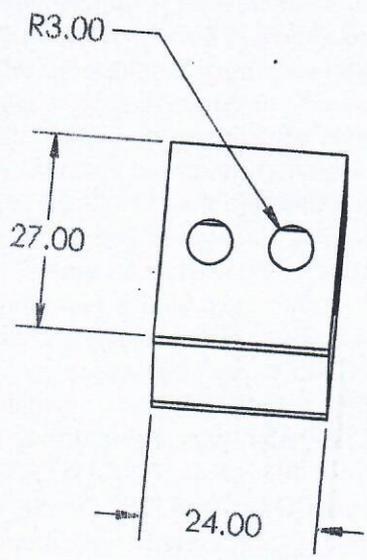
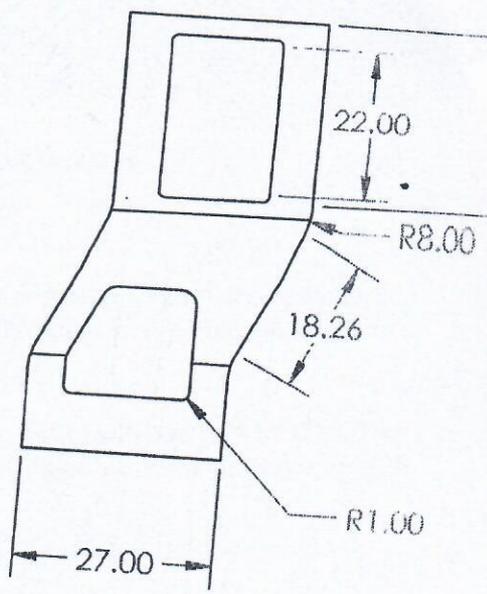
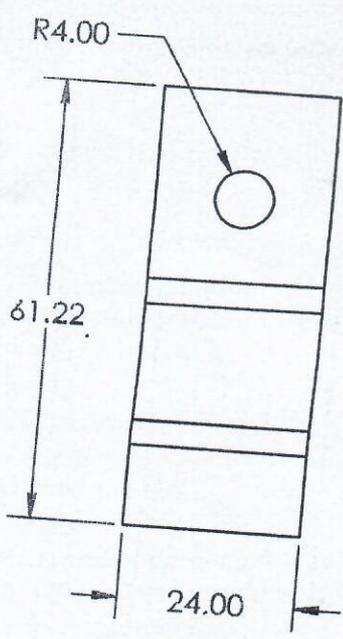
117

4

3

2

1



[Signature]
Team Captain

DO NOT SCALE DRAWING

REVISION

MATERIAL :- AI 7075T6

TITLE:

STEERING ARM

DWG NO.

007

SCALE:1:1

A4

A