

protect  
ideas

**ONE DAY EXPERT LECTURES  
ON  
“INTELLECTUAL  
PROPERTY : PATENTS”**

December 26, 2014



Sponsored by:

TEQIP-II: Center of Excellence  
(Signal and Image Processing)

09:00 AM

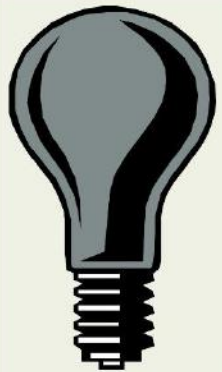
to

9:15 AM

# Inaugural Function



protect  
ideas  
increase  
value



9:15 AM

-

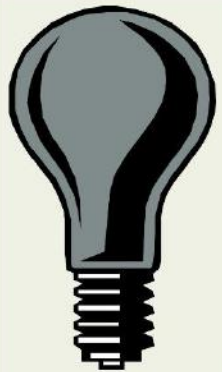
11:45 PM

# Session 1: Patents : An Overview

## Patents : An Overview

Dr M G Kulkarni  
Emeritus Scientist  
CSIR – URDIP Pune  
26 Dec 2012

protect  
ideas  
increase  
value



12:05 PM

to

1:45 PM

# Session 2: How to Read a Patent ?

protect  
ideas  
increase  
value

1. Why read a patent?
2. Anatomy of a patent : implications.
3. The claims, types and coverage.
4. The file history and implications.
5. Evaluating the strengths and weaknesses.
6. Reading with a purpose.
7. The summing up.





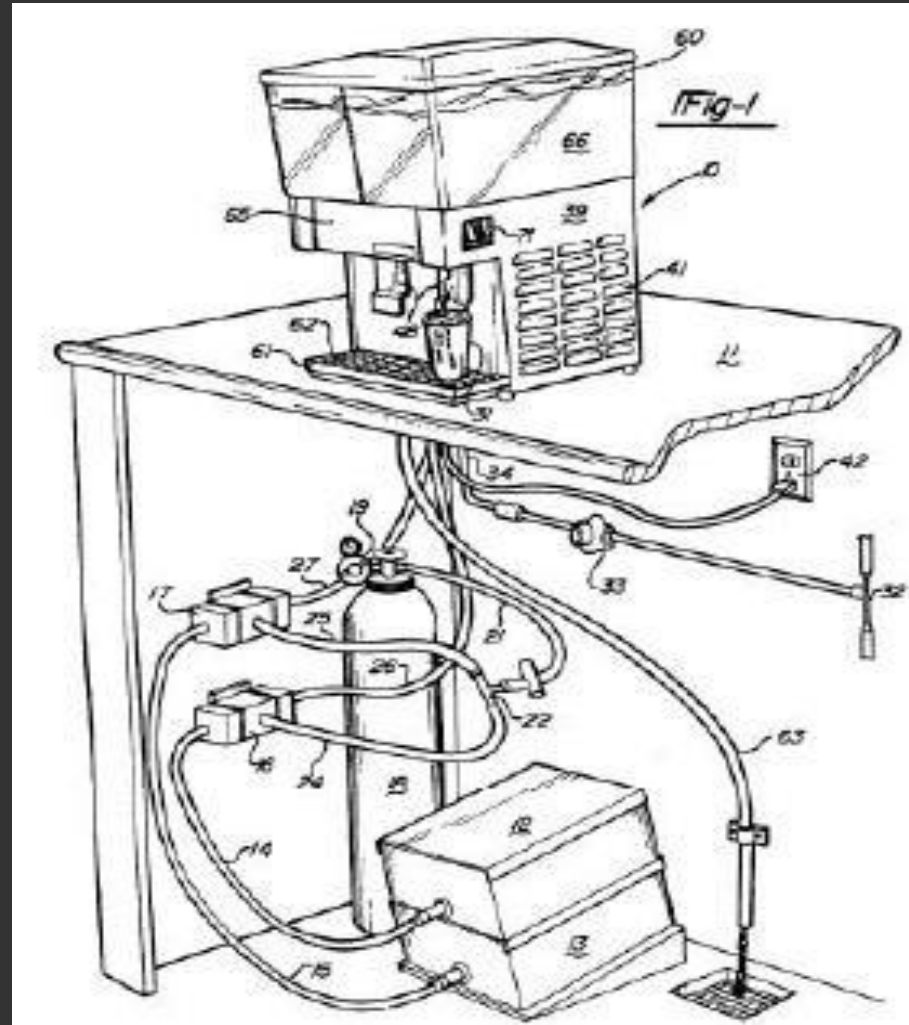
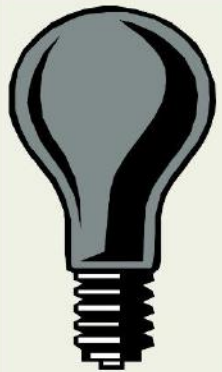
2:30 PM

to

4:30 PM

# Session 3: Patentability Criteria

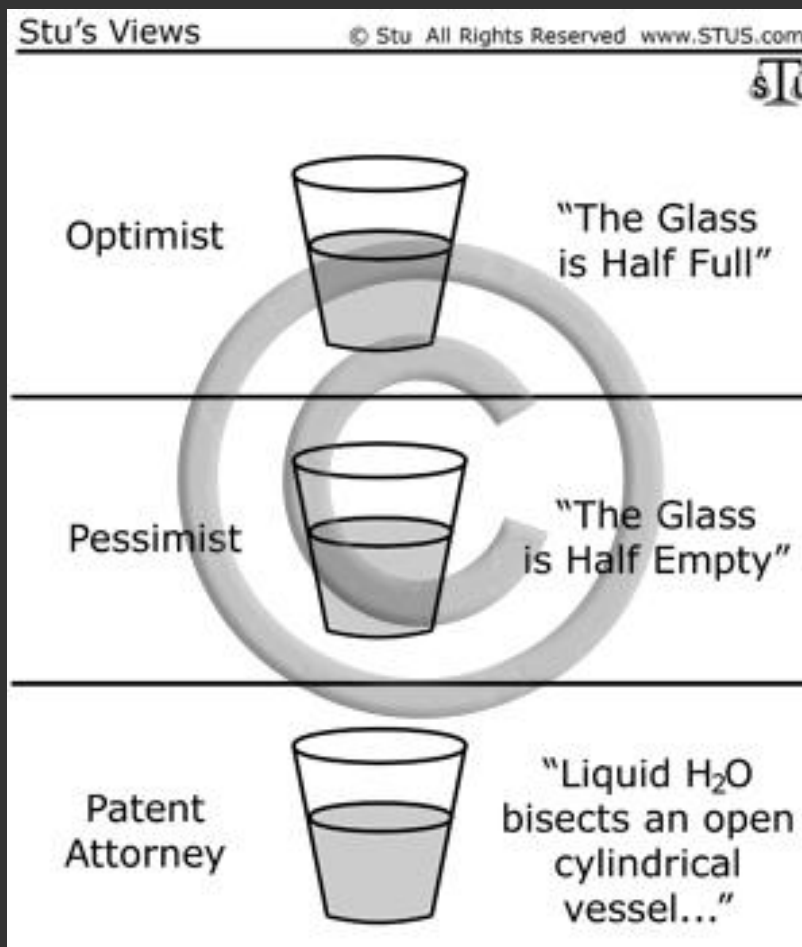
protect  
ideas  
increase  
value



4:45 PM  
to  
5:30 PM

# Session 4: Prosecuting a Patent Application

protect  
ideas  
increase  
value



5:30 PM  
to  
6:30 PM

# Session 5: Commercialization of Patents

## University Patenting

1. IP in business
2. US universities : Evolution
3. Bayh Dole Act
4. Learning from US experience
5. IP strategies for universities
6. IP discipline

protect  
ideas  
increase  
value

