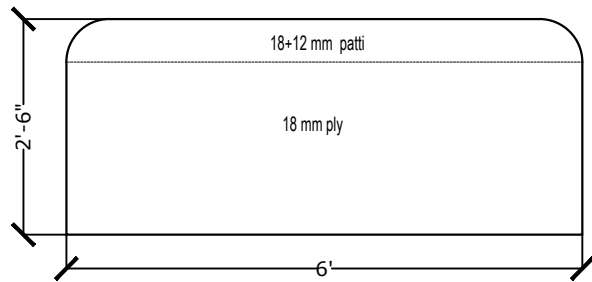
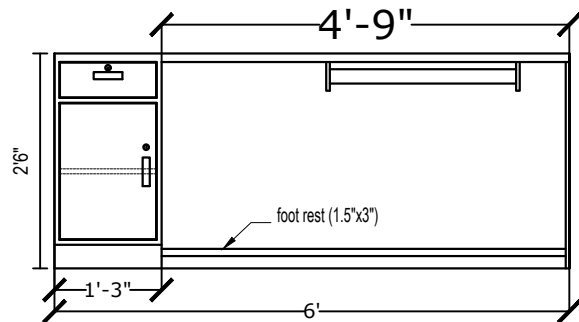


Equipment storage rack

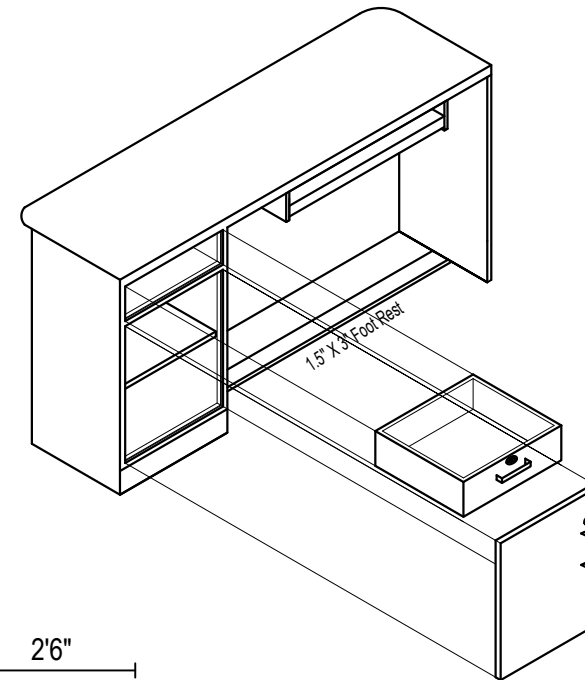
Lab table



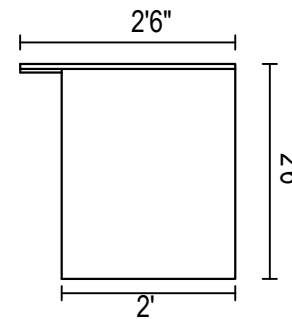
TOP VIEW



FRONT VIEW



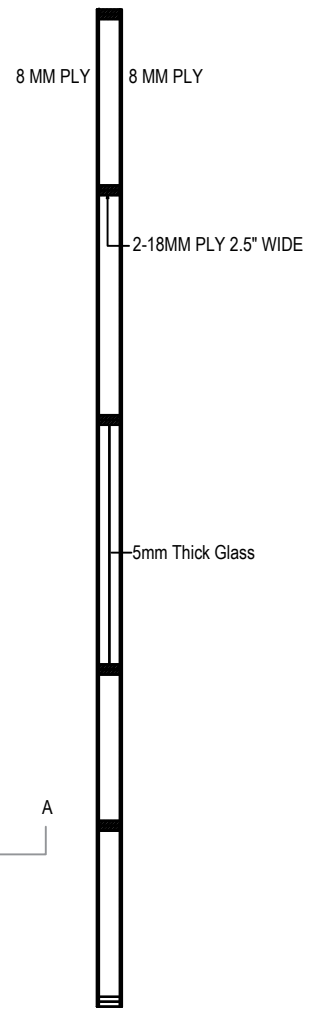
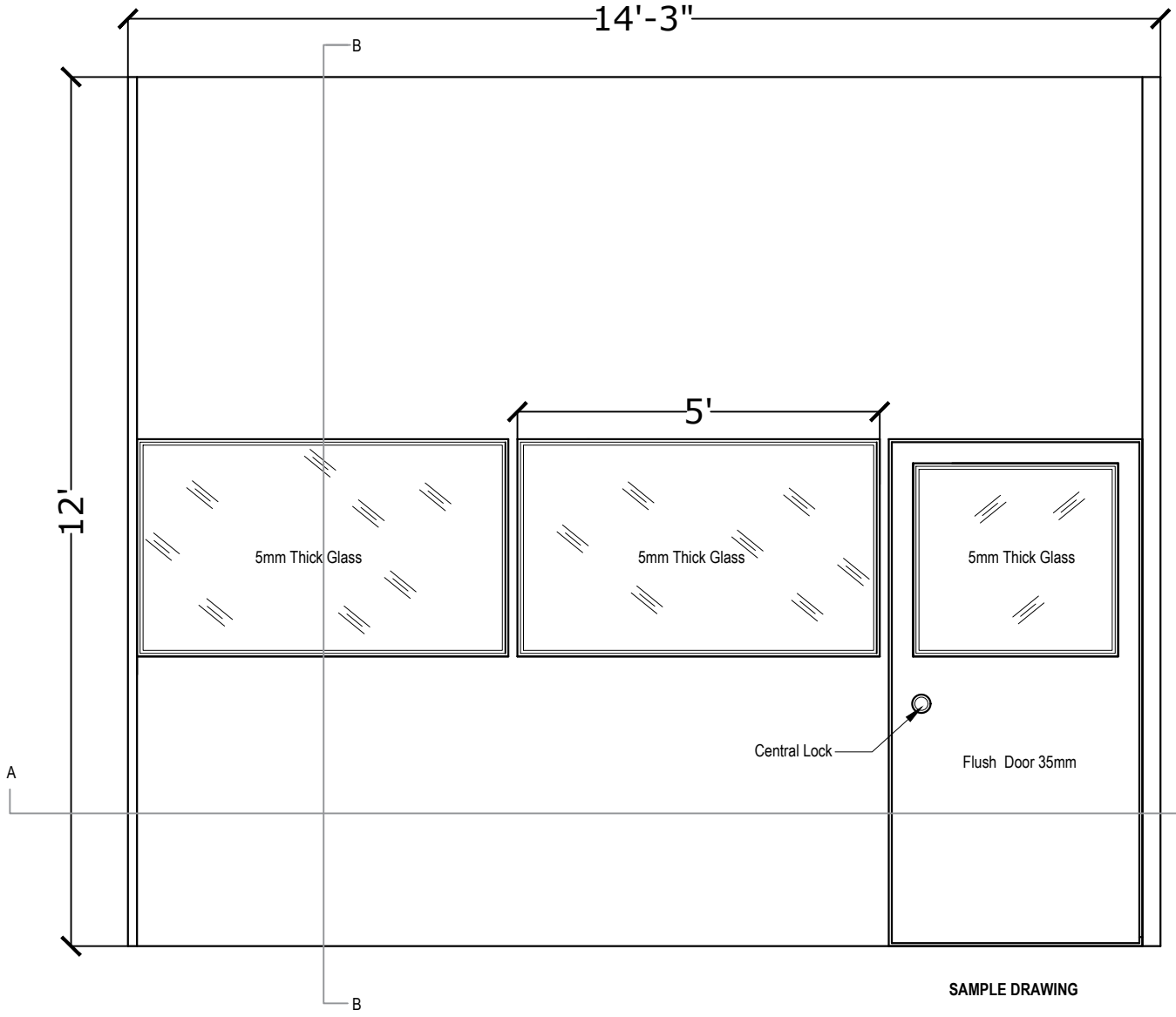
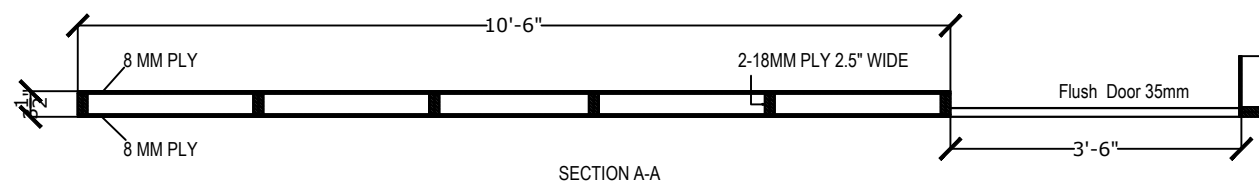
3D VIEW



SIDE VIEW

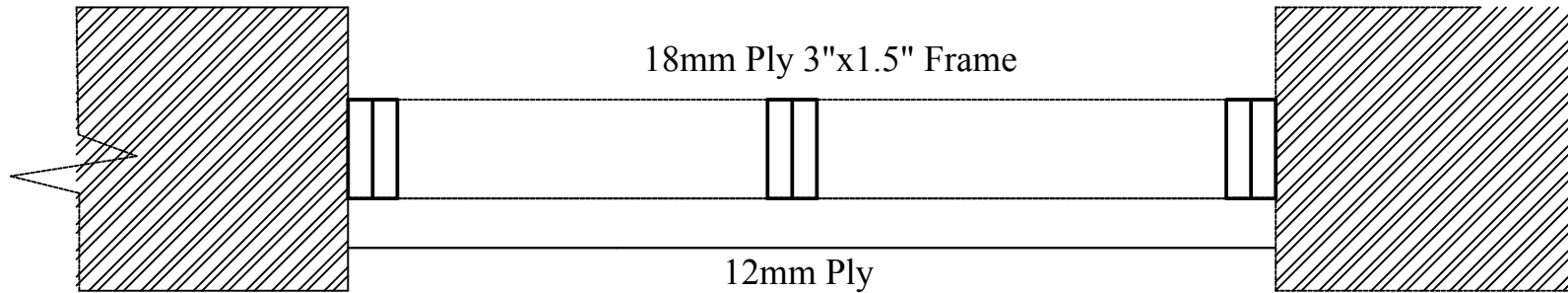
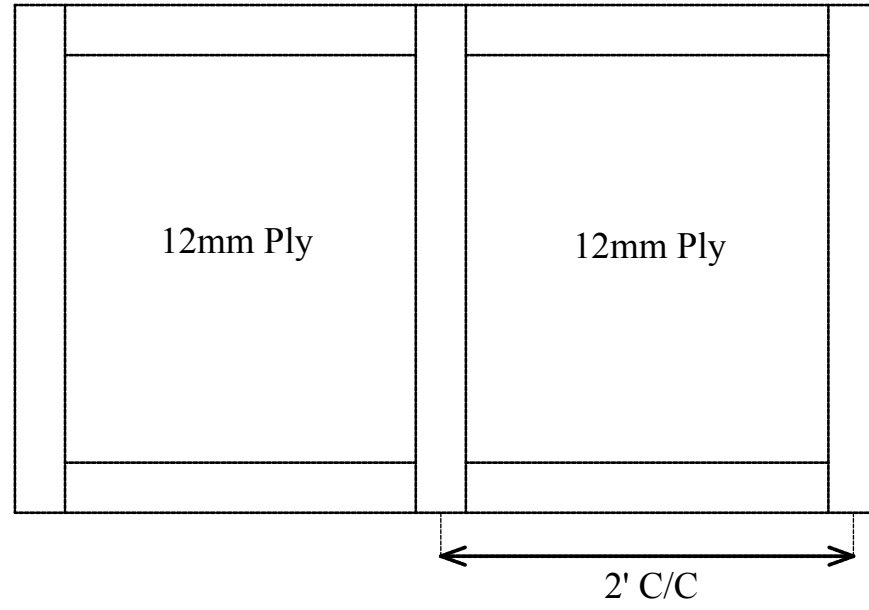
NOTES:-

- All sides , drawer & door section in 18mm ply.
- 12mm thick ply at back side
- All front side edges are cornered by half round bedding.
- Capsule bidding at front side
- All external sides are with 1mm External Laminate

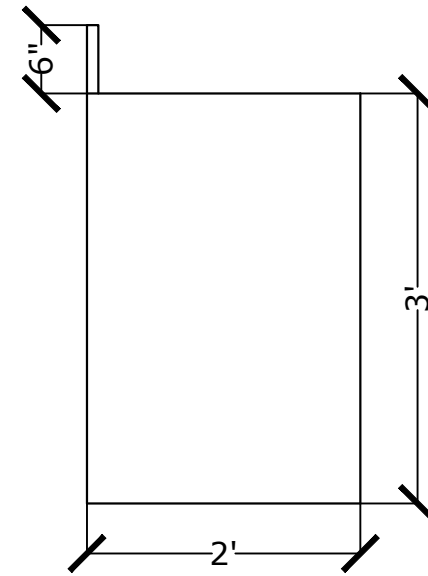
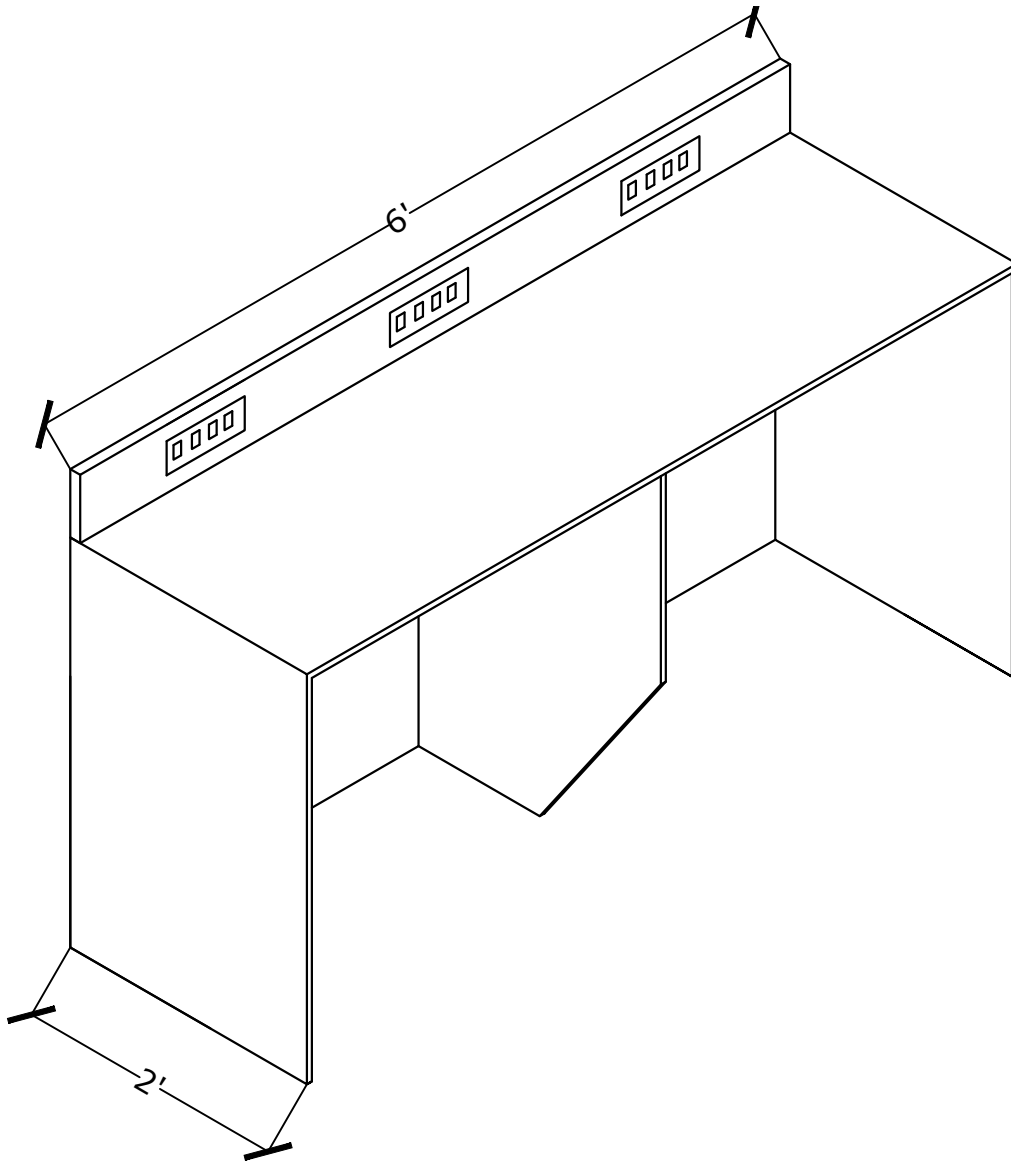


DETAILS OF PLYWOOD PARTITION (DOOR SIDE)

18mm Ply 3"x1.5" Frame



Ply fixing to Window



NOTES:-

- Sides , top & Middle are made in 18mm ply.
- 12mm thick ply at back side
- All front side edges are cornered by half round bedding.

Working Table Drawing