



Shri Guru Gobind Singhji Institute of Engineering and Technology,  
Vishnupuri, Nanded, Vishnupuri, Nanded

## INVITATION LETTER

Package Code: TEQIP-III/MH/ggsi/10 2845 to 2851

Current Date: 11-Nov-2019

Package Name: EXTC\_Furniture\_EDC

Method: Shopping Goods

To,  
Suppliers and contractors

Sub: INVITATION LETTER FOR EXTC\_Furniture\_EDC

Dear Sir,

1. You are invited to submit your most competitive quotation for the following goods with item wise detailed specifications given at Annexure I.

Sr. No	Item Name	Quantity	Place of Delivery	Installation Requirement (if any)
1	Furniture_2	1	SGGSIE&T, Nanded	No

2. Government of India has received a credit from the International Development Association (IDA) towards the cost of the **Technical Education Quality Improvement Programme [TEQIP]-Phase III** Project and intends to apply part of the proceeds of this credit to eligible payments under the contract for which this invitation for quotations is issued.
3. **Quotation**
  - 3.1 The contract shall be for the full quantity as described above.
  - 3.2 Corrections, if any, shall be made by crossing out, initialling, dating and re writing.
  - 3.3 All duties and other levies payable by the supplier under the contract shall be included in the unit Price.
  - 3.4 Applicable taxes shall be quoted separately for all items.
  - 3.5 The prices quoted by the bidder shall be fixed for the duration of the contract and shall not be subject to adjustment on any account.
  - 3.6 The Prices should be quoted in Indian Rupees only.
4. Each bidder shall submit only one quotation.
5. Quotation shall remain valid for a period not less than 90 days after the last date of quotation.

submission.

6. Evaluation of Quotations. The Purchaser will evaluate and compare the quotations determined to be Substantially responsive i.e. which
- 6.1 are properly signed; and
  - 6.2 Confirm to the terms and conditions, and specifications.
7. The Quotations would be evaluated for all items together.
8. Award of contract The Purchaser will award the contract to the bidder whose quotation has been determined to be substantially responsive and who has offered the lowest evaluated quotation price.
- 8.1 Notwithstanding the above, the Purchaser reserves the right to accept or reject any quotations and to cancel the bidding process and reject all quotations at any time prior to the award of Contract.
  - 8.2 *The bidder whose bid is accepted will be notified of the award of contract by the Purchaser prior to expiration of the quotation validity period. The terms of the accepted offer shall be incorporated in the purchase order.*
9. Payment shall be made in Indian Rupees as follows:

Payment Description	Expected Delivery Period (in Days)	Payment Percentage
Satisfactory Delivery & Installation	30	90
Satisfactory acceptance	30	10

10. Liquidated Damages will be applied as per the below:  
Liquidated Damages Per Day Min %:N/A  
Liquidated Damages Max %:N/A
11. All supplied items are under warranty of 12 months from the date of successful acceptance of items and AMC/Others is No.
12. You are requested to provide your offer latest by 13:30 hours on 02-Dec-2019.
13. Detailed specifications of the items are at Annexure I.
14. Training Clause (if any) No

15. Testing/Installation Clause (if any) **No**
16. Performance Security shall be applicable: %
17. Information brochures/ Product catalogue, if any must be accompanied with the quotation clearly indicating the model quoted for.
18. Sealed quotation to be submitted/ delivered at the address mentioned below, **Shri Guru Gobind Singhji Institute of Engineering and Technology, Vishnupuri, Nanded, Vishnupuri, Nanded**
19. We look forward to receiving your quotation and thank you for your interest in this project.



(Authorized Signatory)

Name & Designation



o/c  
11/11/19  
RB

Annexure I

Sr. No	Item Name	Specifications
1	Furniture _2	As per attached sheet

**FORMAT FOR QUOTATION SUBMISSION**  
(In letterhead of the supplier with seal)

Date: \_\_\_\_\_

To: \_\_\_\_\_

Sl No	Description of goods \ (with full Specifications)	Qty	Unit	Quoted Unit rate in Rs. (Including Ex-Factory price, excise duty, packing and forwarding, transportation, insurance, other local costs incidental to delivery and warranty/ guaranty commitments)	Total Price (A)	Sales tax and other taxes payable	
						In %	In figures (B)
<b>Total Cost</b>							

We agree to supply the above goods in accordance with the technical specifications for a total contract price of Rs \_\_\_\_\_ (Amount in figures) (Rupees \_\_\_\_\_ amount in words) within the period specified in the Invitation for Quotations.

We confirm that the normal commercial warranty/ guarantee of \_\_\_\_\_ months shall apply to the offered items and we also confirm to agree with terms and conditions as mentioned in the Invitation Letter.

We hereby certify that we have taken steps to ensure that no person acting for us or on our behalf will engage in bribery.

Signature of Supplier

Name: \_\_\_\_\_

Address: \_\_\_\_\_

Contact No: \_\_\_\_\_

## SHRI GURU GOBIND SINGHIJ INSTITUTE OF ENGINEERING &amp; TECHNOLOGY,

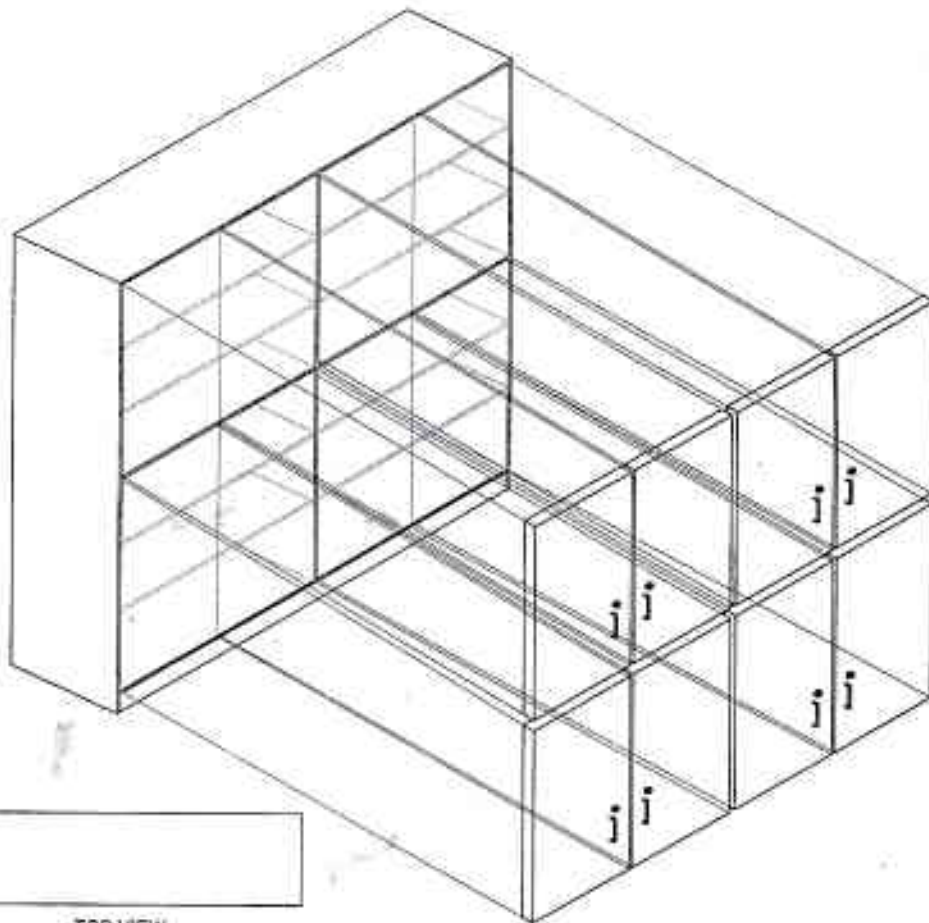
VISHNUPURI, NANDED,

NAME OF WORK: Renovation work in EDC lab. in Electronics and Telecommunication Engineering department.

Item No	Item Of Work	Qty	Unit	Rate per unit	Amount
Item No.1	Removing aluminium partition with frames. Including stacking the materials. As directed by engineer in charge etc. Complete. (Labour charges only)	41.40	Sq.M		
Item No.2	Providing, making & fixing rack of width 1'5" and height 7' with 18 mm thick ply for all section, 12 mm thick ply for back side, approved 1 mm thick SF laminate on external sides, including internal surfaces two coat of putty and two coat of synthetic enamel paint with rubbing and polishing the surface. Fevical, terminal spray, screws, nails, magnet, all required biddings with polish, 4" S.S. hinges, 4" handle, magnet, tower bolt, door lock, to every section, labour charges etc. complete. As per drawing and directed by Engineer in charge. (Only greenlam Ply and Laminate Used)	7.00	R.G.M.		
Item No.3	Providing, making & fixing Lab table of length 4', width 2' and height 2.5' with 18 mm thick ply for all section 12mm thick ply parti on top as shown in drawing, 12 mm thick ply for back side, approved 1 mm thick SF laminate on external sides, including internal surfaces two coat of putty and two coat of synthetic enamel paint with rubbing and polishing the surface. Fevical, terminal spray, screws, nails, magnet, all required biddings with polish, 4" S.S. hinges, 4" handle, S.S. Sliding channel, magnet, tower bolt, door lock, to every section, labour charges etc. complete. As per drawing and directed by Engineer in charge. (Only greenlam Ply and Laminate Used)	1.00	NO		
Item No.4	Providing, making & fixing Working table of width 2' and height 3' with 18 mm thick ply for all sides & top & 12 mm thick ply for back side, approved 1 mm thick SF laminate on external sides, including internal surfaces two coat of putty and two coat of synthetic enamel paint with rubbing and polishing the surface. Fevical Sliding channel, terminal spray, screws, nails, all required biddings with polish, labour charges etc. complete. As per drawing and directed by Engineer in charge	40.00	R.G.M.		
Item No.5	Providing, making & fixing Equipment storage rack of width 1'5" and height 2.75' with 18 mm thick ply for all section, 12 mm thick ply for back side, approved 1 mm thick SF laminate on external sides, including internal surfaces two coat of putty and two coat of synthetic enamel paint with rubbing and polishing the surface. Fevical, terminal spray, screws, nails, magnet, all required biddings with polish, 4" S.S. hinges, 4" handle, magnet, tower bolt, door lock, to every section, labour charges etc. complete. As per drawing and directed by Engineer in charge. (Only greenlam Ply and Laminate Used)	3.90	R.G.M.		

Item No	Item Of Work	Qty.	Unit	Rate per unit	Amount
Item No 6	Providing, making & fixing <b>Back runner board</b> of width 1 25' and height 1 75' with 18 mm thick ply for all section, 12 mm thick ply for back side , 1 mm thick wooden colour laminate on external sides, including internal surfaces two coat of putty and two coat of synthetic enamel paint with rubbing and polishing the surface Fevical, termisal spray, screws, nails, magnet, all required biddings with polish, 3" S S hinges, 4" handle, magnet, tower bolt, door lock, to every section, labour charges etc complete As per drawing and directed by Engineer in charge. (Only greenlam Ply and Laminate Used)	2.60	R.O.M.		
		<b>Total Amount</b>			

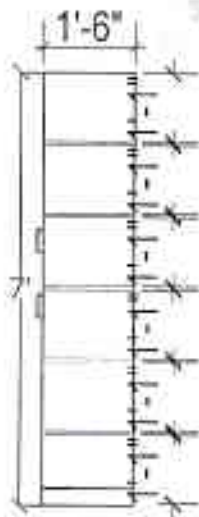
Sign of Contractor



TOP VIEW



FRONT VIEW



SIDE VIEW

Notes:

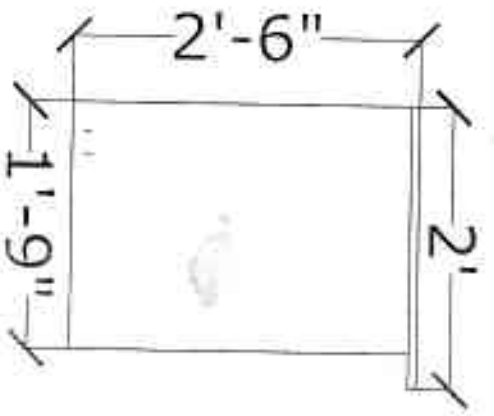
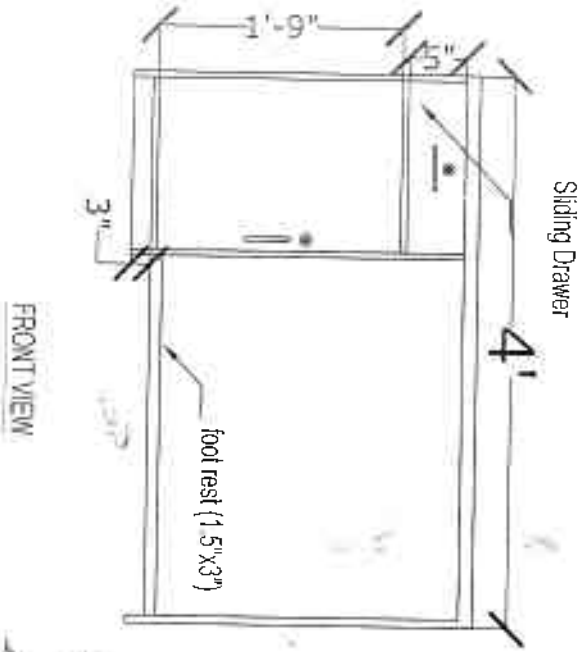
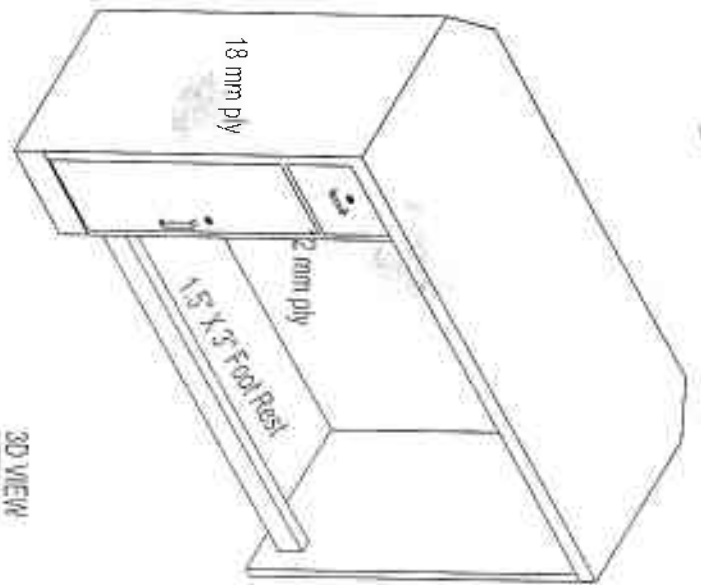
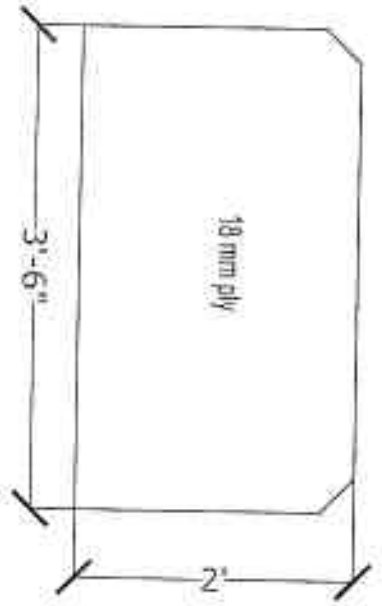
1. All sides 18mm Ply
2. Back Sides 12 mm Ply
3. All sides 1mm Thick S.F. Laminate & inner side inner laminate

Rack

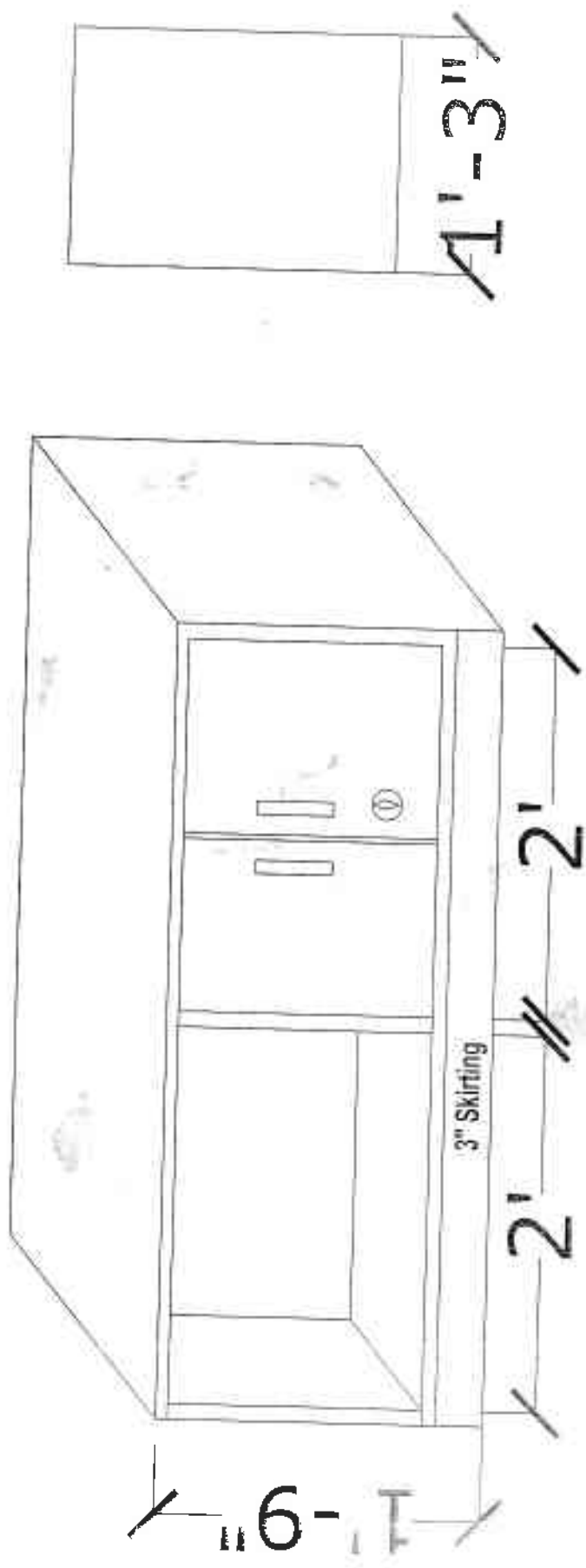
*Handwritten signature/initials*



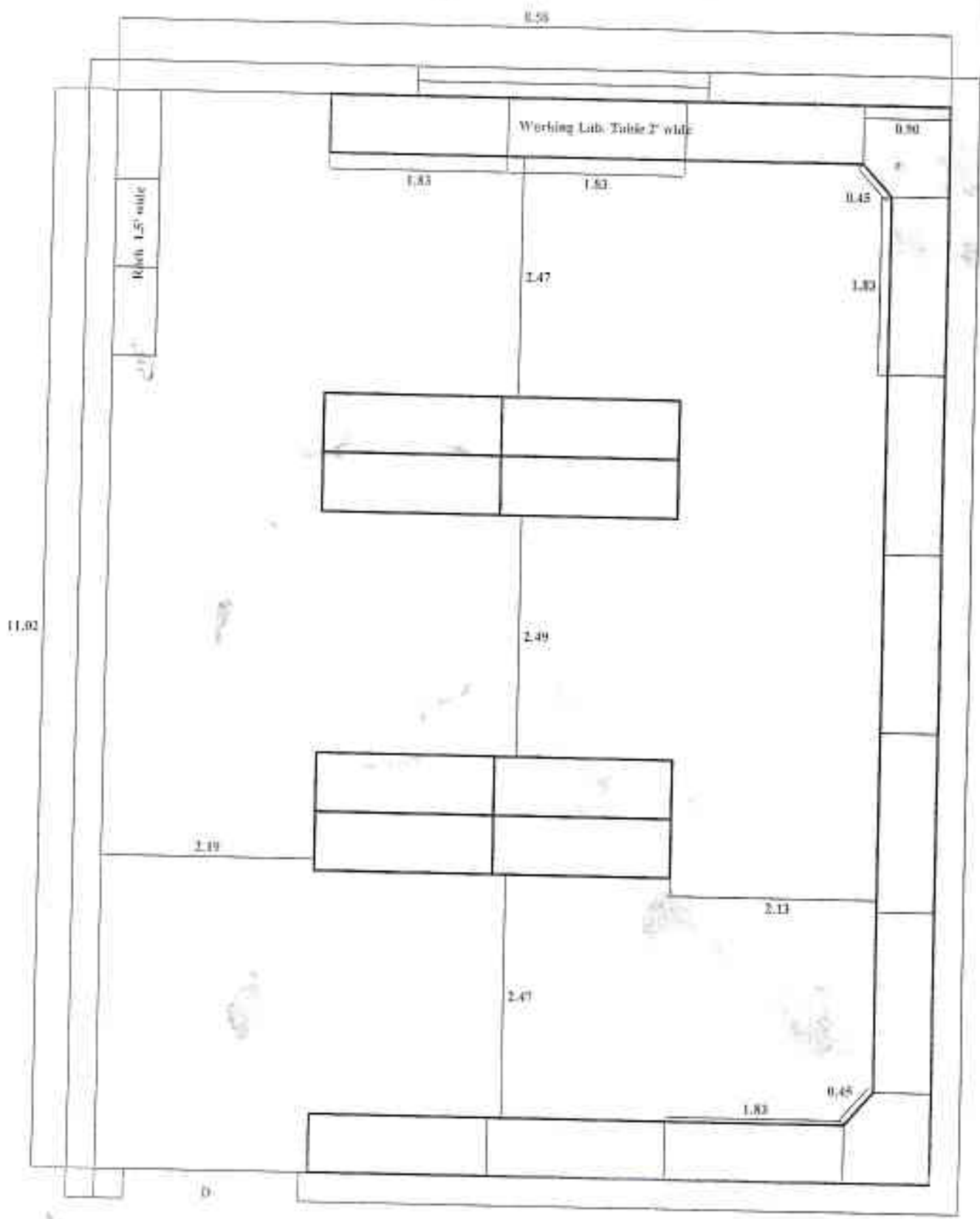
# OFFICE TABLE



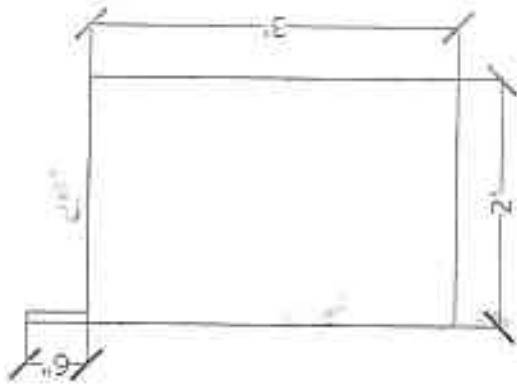
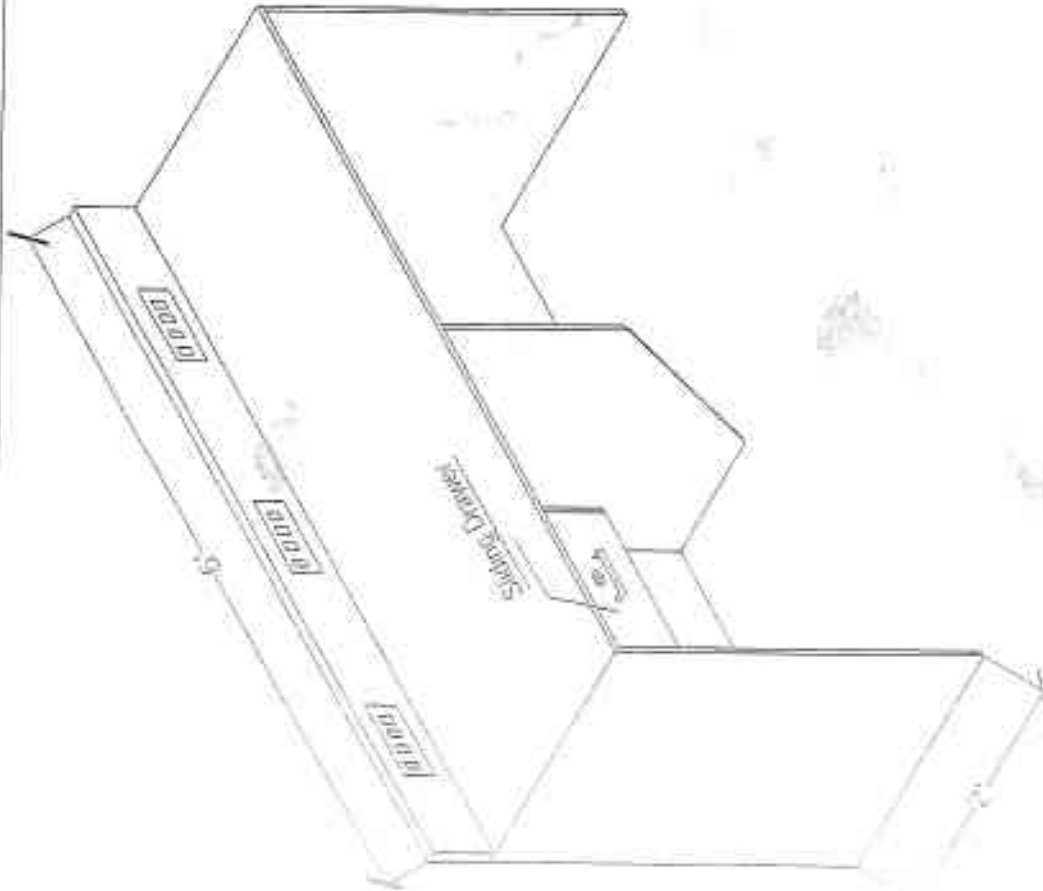
*OK*  
*1/27*



Back runner board



**Furniture work of EDC lab**

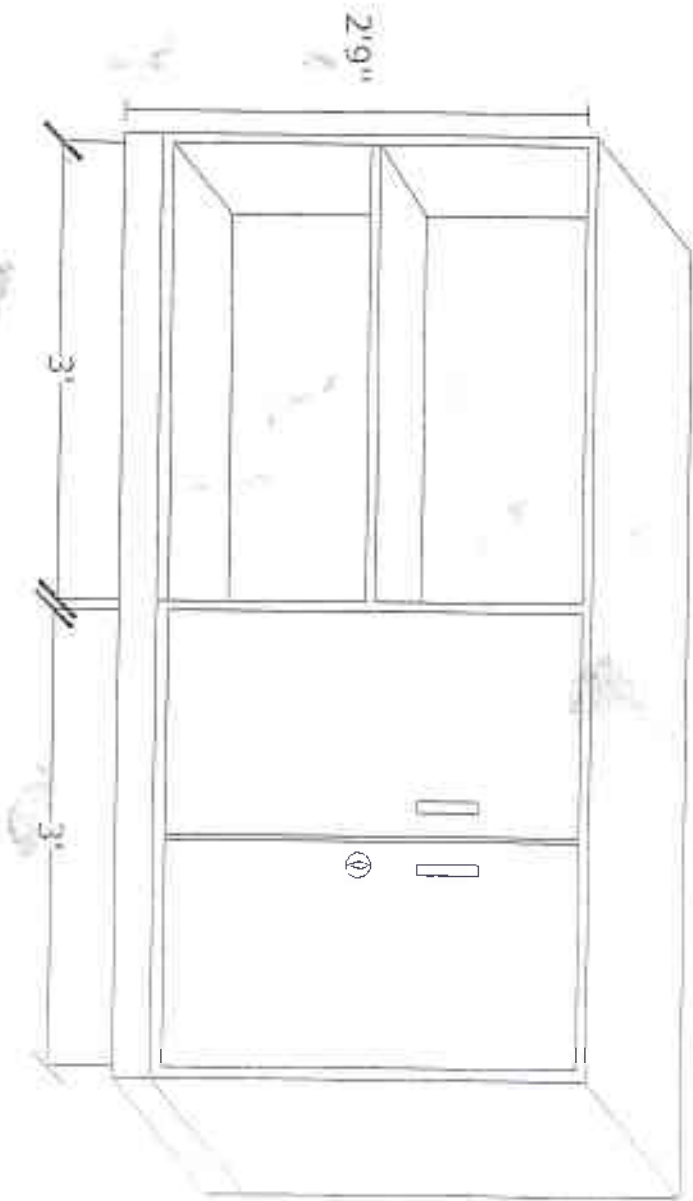
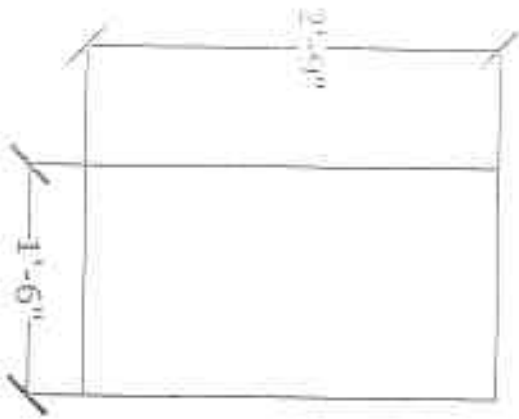


**NOTES:-**

- Sides , top & Middle are made in 18mm ply
- 12mm thick ply at back side
- All external side 1 mm thick S.F. Laminate inner laminate
- All front side edges are cornered by half round bedding.

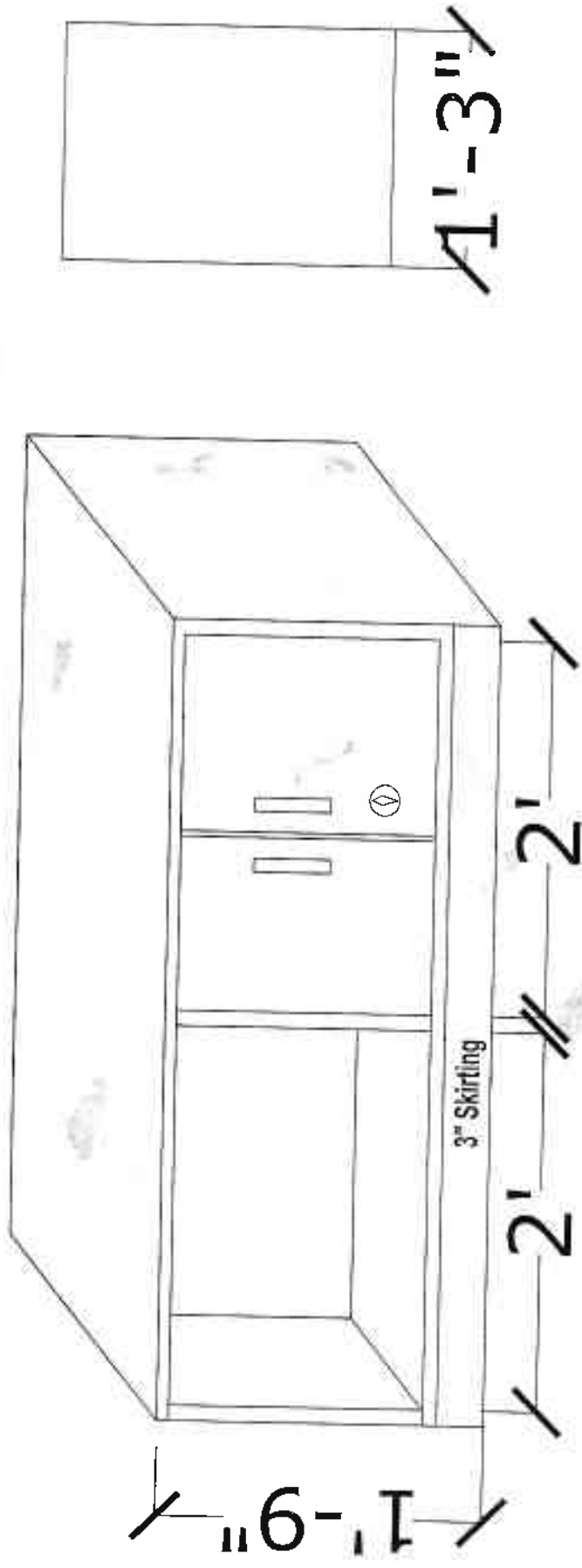
Working Table Drawing

OK  
 1/11/17



Equipment storage rack

(1)



Sitting Table

*Handwritten signature or initials*